



A TEREX BRAND

# *Parts Manual*

## Serial Number Range

### ***GTH-5519***

from SN 10242 to 16380

from SN 16383 to 17547

from SN 17566 to 17821

from SN 17826 to 18153

from SN 18169 to 18555

from SN 18587 to 19005

Part No. 645000

Rev H

March 2016

## Technical Publications

Terexlift has endeavored to deliver the highest degree of accuracy possible. However, continuous improvement of our products is a Terexlift policy. Therefore, product specifications are subject to change without notice.

Readers are encouraged to notify Terexlift of errors and send in suggestions for improvement. All communications will be carefully considered for future printings of this and all other manuals.

---

### Contact Us:




[www.genieindustries.com](http://www.genieindustries.com)  
e-mail: [awp.techpub@terex.com](mailto:awp.techpub@terex.com)

---

The technical data contained in this document is indicative and not binding, insofar as TEREXLIFT S.r.l reserves the right to make modifications and improvements to its products at any time in order to enhance the quality thereof.

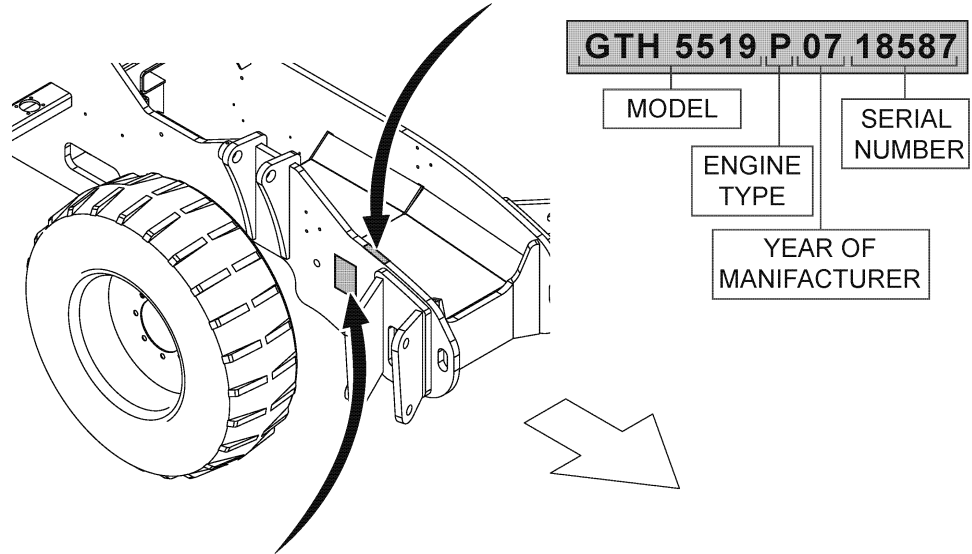
57.0407.4000 Rev A December 2005  
First Edition, First Printing

 Printed on recycled paper

Printed in Italy

**Chassis serial number**

(The chassis serial number is punched on the front right part of the chassis side member)



**Machine data plate**

(On machines destined for the Italian market, the machine data plate is installed in the driving cab, on the right, and is well-visible when the door is opened. On the machines destined for foreign markets, the data plate is applied on the front right side of the chassis)

<b>TEREXLIFT s.r.l.</b>	
ZONA INDUSTRIALE - 06019 UMBERTIDE (PG) - ITALY Tel. +39 075 941.811 Fax +39 075 941.53.82	
MODELLO - MODEL - MODELE - TYP - MODELO	<input type="text"/>
ANNO DI COSTRUZIONE - YEAR OF CONSTRUCTION - ANNEE DE CONSTRUCTION BAUJAHR - AÑO DE FABRICACIÓN	<input type="text"/>
MATRICOLA - SERIAL N. - N. DE SERIE - FZ-IDENT NR. - NO. DE SERIE	<input type="text"/>
PESO MAX ASSALE ANT. - MAX FRONT AXLE WEIGHT - POIDS MAX ESSIEU AVANT ZUL. ACHSLAST VO. N. ST VZO - PESO MAX EJE ANTERIOR	<input type="text"/> kg
PESO MAX ASSALE POST. - MAX REAR AXLE WEIGHT - POIDS MAX ESSIEU ARRIERE ZUL. ACHSLAST HI. N. ST VZO - PESO MAX EJE POSTERIOR	<input type="text"/> kg
PESO TOTALE - TOTAL WEIGHT - POIDS TOTAL - ZUL. GESAMTGEWICHT N. ST VZO PESO TOTAL	<input type="text"/> kg
MATRICOLA MOTORE TERMICO - ENGINE SERIAL N. - N. MOTEUR THERMIQUE FABRIK NR. DIESEL MOTOR - NO. DE SERIE MOTOR TERMICO	<input type="text"/>
POTENZA MOTORE TERMICO - ENGINE POWER - PUISSANCE MOTEUR MOTORLEISTUNG - POTENCIA MOTOR	<input type="text"/> kW
CARICO STATICO VERT. GANCIO DI TRAINO-MAX.VERTICAL LOAD ON THE COUPLING HOOK-EFFORT VERTICAL MAXIMAL SUR LE CROCHET D'ATTELAGE MAXIMALE STUTZLASTBEANSPRUCHUNG DES ZUGHAKENS IN VERTIKALER RICHTUNG- ESFUERZO VERTICAL SOBRE EL GANCHO DE TRACCION	<input type="text"/> kg
MASSA MAX. RIMORCHIABILE - MAX.DRAWBAR PULL AT THE COUPLING HOOK EFFORT THE TRACTION - MAXI AU CROCHET D'ATTELAGE-MAXIMALE ZUGBEANSPRUCHUNG AM ZUGHAKEN-MAXIMO ESFUERZO DE TRACCION EN EL GANCHO DE TRACCION	<input type="text"/> kg
OMOLOGAZIONE	<input type="text"/>
FABBRICATO IN ITALIA - MADE IN ITALY	CE

Table of Contents

This manual is updated frequently. If you have a printed manual, you can keep it up to date by downloading new figures from the Genie website at [www.genielift.com](http://www.genielift.com). For the most up-to-date parts information, visit the Parts Lookup System on the Genie website at [www.genielift.com](http://www.genielift.com).

How to Read Your Serial Number.....3  
 Parts Stocking List.....7  
 How to Order Parts.....8  
 Service Parts Fax Order Form.....9

**Electronic Version**

Click on any page number to view the figure.

**100 Cab and Control Place Unit**

101.1 0 604710 Dashboard.....10  
 102.1 0 604711 Cab.....12  
 103.1 0 604712 Cab-Door And Glasses.....14  
 104.1 0 604712 Cab - Door And Glasses.....18  
 105.1 0 604726 Hydraulic System.....22  
 106.1 0 604727 Hydraulic System - Pilotages.....24

**200 Frame Unit**

201.1 0 604713 Frame.....26  
 202.1 0 604714 Rear Frame Unit.....28  
 203.1 0 604736 Label - Name Plate.....30  
 204.1 0 604737 Label - Name Plate.....32

**300 Transmission Unit**

301.1 0 604717 Transmission And Wheels.....34  
 302.1 0 604721 Hydraulic System - Negative Brake.....36  
 303.1 0 604722 Power Steering System.....38  
 304.1 0 604725 Hydraulic System - Transmission.....40  
 305.1 0 604739 Front Axle - Differential Case.....42  
 306.1 0 604740 Front Axle - Differential Gear.....44  
 307.1 0 604741 Front Axle - Reduction Gear.....46  
 308.1 0 604742 Front Axle - Brake.....48  
 309.1 0 604743 Front Axle - Steering Cylinder.....50  
 310.1 0 604744 Rear Axle - Differential Case.....52  
 311.1 0 604745 Rear Axle - Differential Gear.....54  
 312.1 0 604746 Rear Axle - Steering Axle.....56  
 313.1 0 604747 Rear Axle - Steering Cylinder.....58  
 314.1 0 604748 Rear Axle - Support.....60

**400 Telescopic Boom Unit**

401.1 0 604715 Arm.....62  
 402.1 0 604716 Forks.....64  
 403.1 0 604728 Hydraulic System - Implement Locking.....66  
 404.1 0 604729 Hydraulic System - Fork Balancing.....68  
 405.1 0 604730 Hydraulic System - Lifting And Boom Extension.....70  
 406.1 0 604731 Hydraulic System - Auxiliary Circuits.....72  
 407.1 0 604734 Hydraulic System - Parts.....74  
 408.1 0 604735 Hydraulic System - Parts.....76

**500 Diesel Engine Unit**

501.1 0 604718 Diesel Engine - Hydraulic Pump.....78  
 502.1 0 604719 Diesel Engine - Engine Cooling System.....80  
 503.1 0 604720 Diesel Engine - Suction - Exhaust - Accelerator.....82  
 504.1 0 604723 Hydraulic System - Tank and Exchanger...84  
 505.1 0 604724 Suction System - Facilities Pump.....86

**600 Electric Installation Unit**

601.1 0 604733 Fuse Holding Box.....88  
 602.1 0 604738 Electric Installation.....90

**Indices**

Part Number Index.....92  
 Part Description Index.....96

**Cross References**

***This Page Intentionally Left Blank***



## Required Parts

The following parts are required to perform maintenance procedures as outlined in the GTH 5519 Operator's and Service Manuals.

Description	Part No.
Diesel Fuel Filter.....	07.4501.0068
Engine Oil Filter.....	07.4501.0067
Hydraulic Oil Filter Cartridge .....	07.0700.0000
Engine Air Filter .....	07.4501.0063
Oil Filter Immersed in the Tank.....	09.4604.0004

## Used Varnishes

Description	Type
Terex Grey .....	RAL 7012
Terex White .....	RAL 1013
Terex Matte Black for Cylinders.....	RAL 9005
Genie Blue.....	
Genie Grey .....	
Genie Mat Black for Cylinders.....	RAL 9005

## Manuals

Terexlift offers the following support documents for these models:

Title	Part No.
Genie GTH 5519 Operator's Manual, 1 <sup>st</sup> edition.....	57.0005.9200
Genie GTH 5519 Service Manual, 2 <sup>st</sup> edition .....	57.4401.8200

## Part list abbreviations

<b>ZN</b>	Zinc-plated
<b>RNFT</b>	Reinforced
<b>FLNG</b>	Flanged
<b>PSNT</b>	Heavy type
<b>OC</b>	Eye
<b>PSRT</b>	Through-coupling
<b>CNTF</b>	Hole centre

## How to Order Parts

Please be prepared with the following information when ordering replacement parts for your Terex or Genie product.

- Machine model number
- Machine serial number
- Part number
- Part description and quantity
- Purchase order number
- "Ship to" address
- Desired method of shipment
- Name and telephone number of the authorized distributor in your area

Use the Service Parts Fax Order Form on the next page and fax your order to our Parts Department.

If you don't know the name of your authorized distributor, or if your area is not currently serviced by an authorized distributor, please call Terex or Genie Industries.

### Machine Information

---

Model

---

Serial Number

---

Date of Purchase

---

Authorized Genie Distributor

---

Phone Number

#### North America

Telephone (425)881-1800

Toll Free (800)536-1800 in US and Canada

Fax (425)556-8659

Toll Free fax (888)274-6192

Email [AWP.PartsSalesPO@terex.com](mailto:AWP.PartsSalesPO@terex.com)

<http://genielift.com/en>

#### EMEAR (Europe, Middle East, Africa and Russia)

Telephone (31)(165)519 313

Fax (31)(165)511 148

<http://genielift.co.uk>

#### Asia Pacific (Genie Singapore)

Telephone +65 6692 7777

Fax +65 6261 8893

<http://genielift.com.sg/>

#### Australia

Telephone (61)(7)3456 4444

Fax (61)(7)3456 4466

<http://genielift.com.au>

#### South America

Telephone (55)(11)4082 5600

Fax (55)(11)4082 5630



**Service Parts Fax Order Form**

Fax to: (425) 556-8659 or Toll Free: 888-274-6192  
International: +1-425-556-8659



**Please fill out completely**

Date \_\_\_\_\_ Account Number \_\_\_\_\_  
Your Name \_\_\_\_\_ Your Fax Number \_\_\_\_\_  
\_\_\_\_\_ Your Phone Number \_\_\_\_\_  
Bill To \_\_\_\_\_ Ship To \_\_\_\_\_  
\_\_\_\_\_  
\_\_\_\_\_  
\_\_\_\_\_  
Purchase Order Number \_\_\_\_\_ Ship Via \_\_\_\_\_

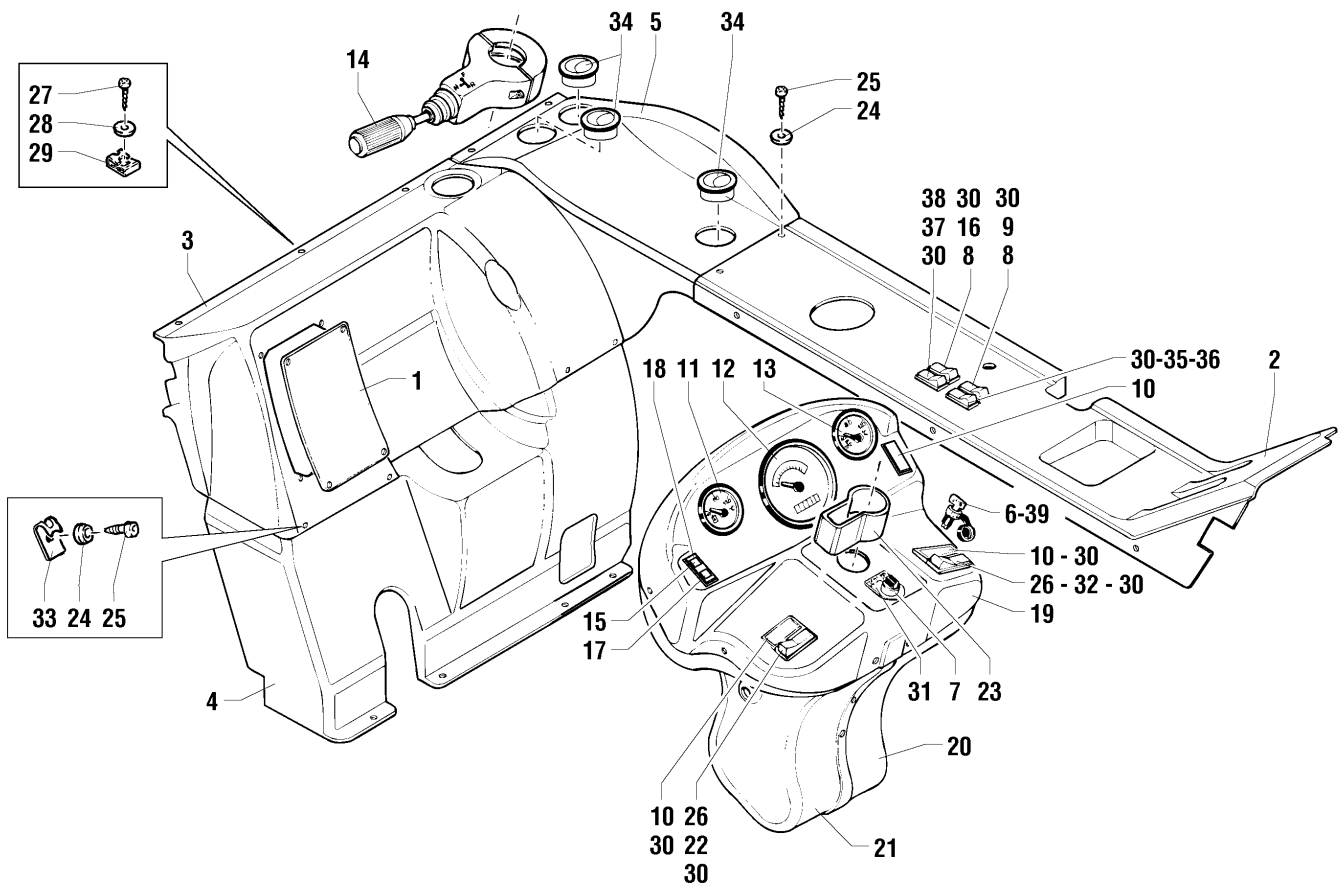
**Model(s)** \_\_\_\_\_ **Serial No.(s)** \_\_\_\_\_  
**Optional Equipment** \_\_\_\_\_

Part Number	Description	Quantity	Price

**All back-ordered parts will be shipped when available via the same ship method as the original order unless Noted below:**

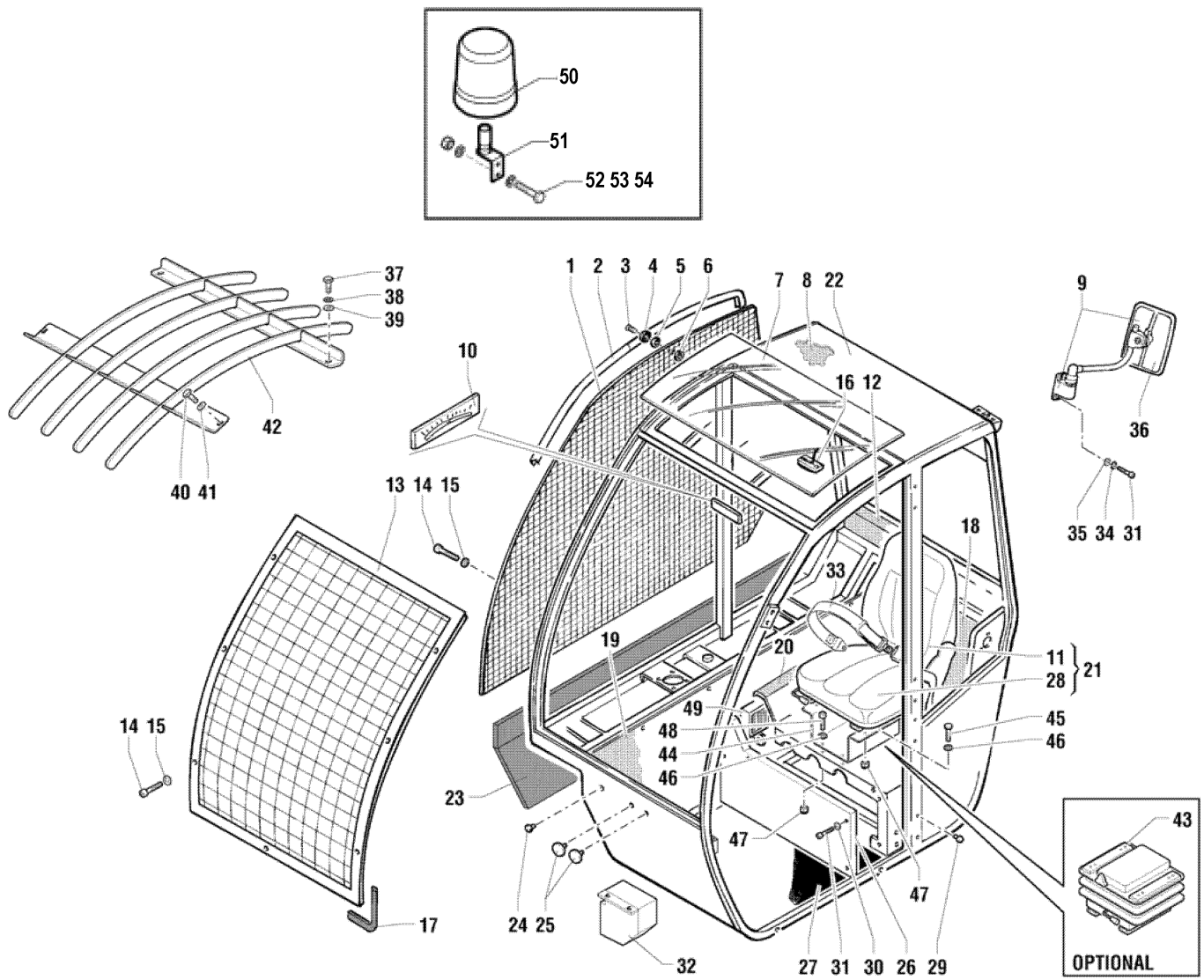
- Ship complete order only - No back orders
- Ship all available parts and contact customer on disposition of back-ordered parts
- Other (please specify)

101.1 604710 Dashboard



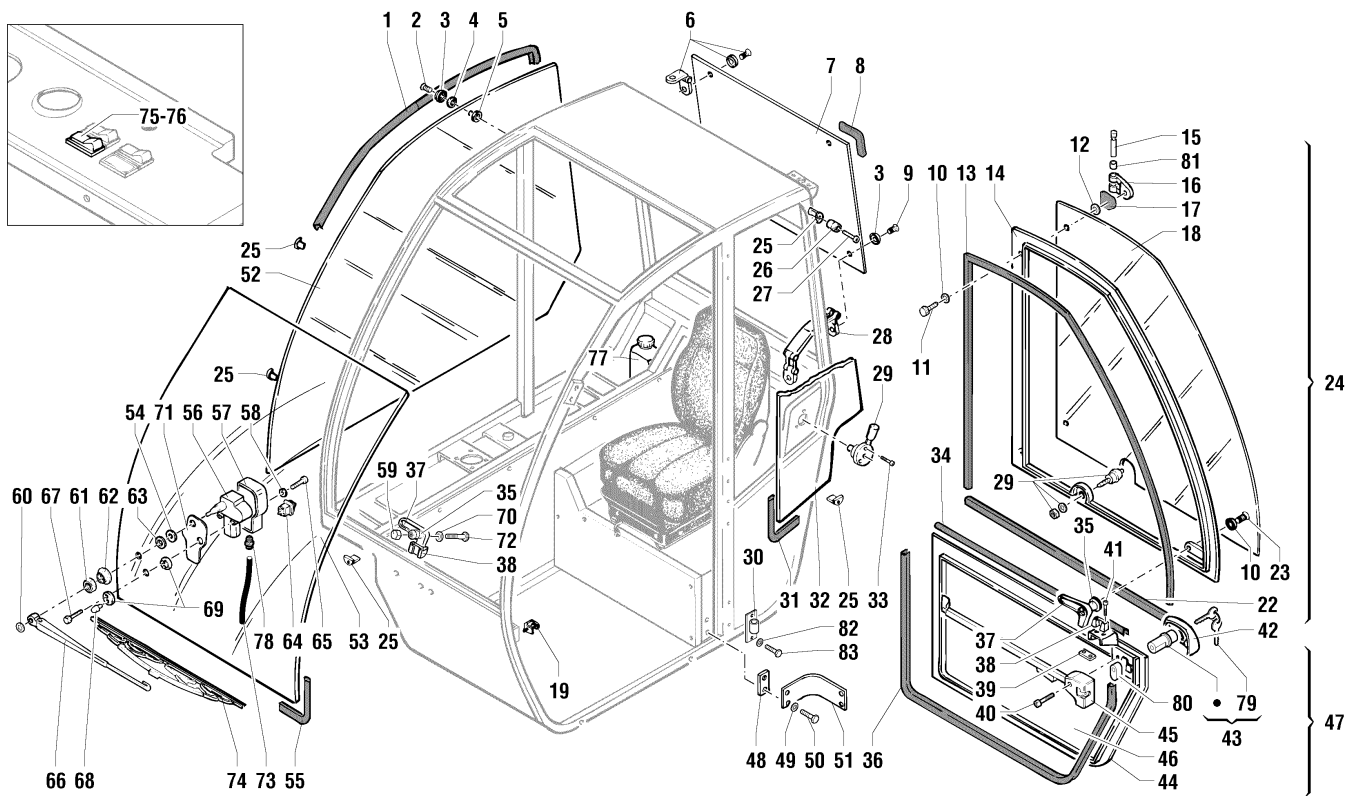
Item	Part No.	Description	Qty.	Item	Part No.	Description	Qty.
1	52.1200.1100	DASH, PANEL COVER.....	1	37	07.0703.0077	SWITCH,COVER,FAN/GREEN.....	1
2	52.1200.0700	DASHBOARD.....	1	38	07.0703.0088	SWITCH.....	1
3	52.1200.3900	DASHBOARD.....	1	39	56.0017.0015	KEY ONLY ( 1 PAIR).....	1
4	52.1200.3800	Dashboard.....	1				
5	52.1200.3700	DASHBOARD.....	1				
6	07.0703.0472	Starting Switch.....	1				
7	641065	SWITCH,STEER SELECTOR.....	1				
8	07.0703.0087	Switch.....	2				
9	07.0703.0455	COVER,PARK BRAKE/RED.....	1				
10	07.0703.0089	PLUG.....	2				
11	56.0016.0073	GAUGE, HYDRAULIC OIL TEMP, 5519.....	1				
12	641053	DISPLAY, GAUGES.....	1				
13	56.0016.0072	Indicator.....	1				
14	07.0703.0479	SPEED LEVER.....	1				
15	07.0703.0458	COVER,TOGGLE SWITCH PREHEATING.....	1				
16	07.0703.0473	SWITCH COVER, CONTINUOUS FLOW.....	1				
17	07.0703.0459	COVER,TOGGLE SWITCH.....	1				
18	07.0703.0457	PILOT LIGHT.....	1				
19	640495	Dashboard.....	1				
20	640496	DASHBOARD,RIGHT SIDE.....	1				
21	640497	LEFT SIDE, DASHBOARD.....	1				
22	07.0703.0477	SWITCH,LOCK COVER.....	1				
23	07.0703.0056	GUARD.....	1				
24	07.0723.0074	WASHER.....	18				
25	07.0723.0039	SCREW,PPH SMS 10X3/4ZAKEG.....	18				
26	07.0703.0476	SWITCH/2 POS. MOMENTARY.....	2				
27	07.0723.0039	SCREW,PPH SMS 10X3/4ZAKEG.....	12				
28	07.0723.0074	WASHER.....	12				
29	07.0723.0104	RETAINER.....	12				
30	07.0703.0052	TANK FOR 2 POSITION SWITCH...8					
31	07.0703.0113	NAME PLATE.....	1				
32	07.0703.0474	SWITCH COVER-HORN.....	1				
33	07.0723.0104	RETAINER.....	1				
34	07.0723.0192	Air Inlet.....	3				
35	07.0703.0611	Switch.....	1				
36	07.0703.0610	SWITCH UPPER.....	1				

102.1 604711 Cab



Item	Part No.	Description	Qty.	Item	Part No.	Description	Qty.
1	07.0723.0198	Right Side Grid.....	1	36	07.0723.0042	Mirror.....	1
2	07.0723.0049	Seal.....	2	37	01.0001.0503	Screw TE M 12x20.....	2
3	07.0723.0169	Screw TSPEI M8x40.....	2	38	01.4032.0005	SPRING WASHER D12 ZN .....	2
4	07.0723.0170	Washer.....	7	39	01.0031.0057	WASHER,D12 UNI 6592 ZN .....	2
5	07.0723.0096	RUBBER.....	2	40	01.0001.0252	SCREW M8X16 UNI 5739 8.8 ZN....	2
6	07.0723.0171	Rubber.....	2	41	01.0031.0299	FLAT WASHER D8 UNI 6593.....	2
7	07.0723.0168	Upper Glass.....	1	42	07.0723.0283	Grate.....	1
8	07.0723.0211	Coating.....	1	43	09.4610.0025	SHOCK ABSORBER, SEAT.....	1
9	07.0723.0024	MIRROR W/BRACKET, SINGLE .....	1	44	07.0723.0352	Seat Support.....	1
10	07.0723.0142	LEVEL GAUGE.....	1	45	01.0001.0010	SCREW, M 8X20 UNI 5739 8.8 ZN.....	4
11	07.0703.0508	SEAT, CUSHION BACK .....	1	46	01.0031.0299	FLAT WASHER D8 UNI 6593.....	8
12	641009	Coating.....	1	47	01.0023.0064	STOP NUT.....	8
13	07.0723.0196	GUARD.....	1	48	01.0003.0944	Screw Tcei M 8X30 UNI 5931 8.8Zn.....	4
14	07.0723.0039	SCREW,PPH SMS 10X3/4ZAKEG.....	19	49	07.0723.0149	FILTER .....	1
15	07.0723.0074	WASHER.....	19	50	56.0010.0005	Flashing Beacon.....	1
16	07.0723.0011	Roof Lamp.....	1	51	07.0723.0485	Flashing Beacon Bracket.....	1
17	07.0723.0197	Rubber Seal.....	4	52	01.0001.0254	SCREW M8X20 UNI 5739 8.8 ZN....	2
18	07.0723.0145	INTERIOR PANEL WITH POUCH....	1	53	01.0031.0055	FLAT WASHER D8 UNI 6592 ZN ....	4
19	07.0723.0146	Coating.....	1	54	01.0023.0054	NUT,M8 UNI 7473 6S ZN.....	2
20	07.0723.0150	Coating.....	1				
21	09.4610.0017	SEAT..... <i>Optionals</i>	1				
21	09.4610.0024	Seat, Non Suspension..... <i>standard On Units</i>	1				
22	51.1100.0014	Frame.....	1				
23	07.0723.0213	External Sound-Proofing.....	1				
24	07.0723.0055	RUBBER PLUG D.10.....	1				
25	07.0723.0054	RUBBER PLUG D25.....	2				
26	07.0723.0214	Lock.....	1				
27	07.0723.0630	RUBBER CARPET.....	1				
28	07.0703.0509	SEAT,BOTTOM CUSHION.....	1				
29	07.0723.0215	PLUG.....	8				
30	07.0723.0076	Plain Washer D6x18 .....	4				
31	07.0723.0040	Screw TCB 1BG3223.....	2				
32	07.0723.0217	GUARD.....	1				
33	07.0703.0465	SAFETY BELT.....	1				
33	09.4610.0027	BELT,SEAT A5073.104 .....	1				
34	07.0723.0111	Washer.....	2				
35	07.0723.0173	Washer D6X12MM.....	2				

103.1 604712 Cab-Door And Glasses



103.1 604712 Cab-Door And Glasses

Item	Part No.	Description	Qty.	Item	Part No.	Description	Qty.
1	07.0723.0174	SEAL.....	1	42	07.0723.0156	HANDLE.....	1
2	07.0723.0169	Screw TSPEI M8x40.....	2	43	07.0723.0188	KEY SWITCH WITH 2 KEYS.....	1
3	07.0723.0170	Washer.....	7	44	07.0723.0184	Frame.....	1
4	07.0723.0096	RUBBER.....	2	45	07.0723.0157	HANDLE, INTERNAL DOOR.....	1
5	07.0723.0171	Rubber.....	2	46	07.0723.0189	Glass.....	1
6	07.0723.0270	Hinge.....	2	47	07.0723.0339	Lower Door.....	1
7	07.0723.0163	REAR GLASS.....	1	48	640996	Plate.....	1
8	07.0723.0190	SEAL.....	1	49	07.0723.0173	Washer D6X12MM.....	4
9	07.0723.0176	SCREW,TSPEI M8X25.....	2	50	07.0723.0175	SCREW, M6X20 DIN 933 YZ HCS.....	4
10	07.0723.0134	PLAIN WASHER.....	17	51	07.0723.0140	Stop Belt.....	1
11	07.0723.0177	Screw.....	4	52	07.0723.0165	RIGHT SIDE GLASS .....	1
12	07.0723.0178	Plain Washer.....	4	53	07.0723.0219	Front Side Glass.....	1
13	07.0723.0152	SEAL (1 PIECE = 3 METERS).....	1	54	07.0723.0223	Rubber.....	1
14	07.0723.0153	Frame.....	1	55	07.0723.0220	Seal.....	1
15	07.0723.0161	PIN.....	4	56	07.0723.0221	WIPER MOTOR.....	1
16	07.0723.0343	HINGE.....	4	57	07.0723.0228	Guard.....	1
17	07.0723.0154	SEAL.....	4	58	07.0723.0202	Washer.....	2
18	07.0723.0151	Glass.....	1	59	07.0723.0135	NUT.....	1
19	640995	CLIP.....	1	60	07.0723.0232	Plain Washer D8x16 UNI 6592.....	1
22	07.0723.0183	GASKET.....	1	61	07.0723.0231	Nut.....	1
23	07.0723.0182	Screw.....	2	62	07.0723.0230	Spacer.....	1
24	07.0723.0338	Upper Door.....	1	63	07.0723.0170	Washer.....	1
25	641042	GLASS STOP.....	16	64	07.0723.0229	SWITCH.....	1
26	07.0723.0236	STOP PAD.....	2	65	07.0723.0233	Screw.....	2
27	07.0723.0237	SCREW,M10-1.5X90 12.9 SHCS.....	1	66	07.0723.0036	WIPER ARM.....	1
28	07.0723.0164	Lever.....	2	67	07.0723.0175	SCREW, M6X20 DIN 933 YZ HCS.....	1
29	07.0723.0144	DOOR STOP KIT.....	1	68	07.0706.0061	Spray Nozzle.....	1
30	07.0723.0672	HINGE.....	4	69	07.0723.0225	Plastic Washer.....	2
31	07.0723.0190	SEAL.....	1	70	07.0723.0134	PLAIN WASHER.....	1
32	07.0723.0166	LEFT SIDE GLASS.....	1	71	07.0723.0222	Label.....	1
33	07.0723.0185	SCREW, M6X30DIN933 YZ HCS.....	3	72	07.0723.0133	Screw TSPEI M8X70.....	1
34	07.0723.0158	Seal.....	1	73	07.0723.0226	RUBBER HOSE .....	1
35	641020	BUSHING.....	1	74	07.0723.0037	WIPER BLADE.....	1
36	07.0723.0152	SEAL (1 PIECE = 3 METERS).....	1	75	07.0703.0088	SWITCH.....	1
37	641019	HANDLE.....	2	76	07.0703.0077	SWITCH,COVER,FAN/GREEN.....	1
38	641024	STOP.....	2	77	641004	TANK, WIPER W/ PUMP .....	1
39	07.0723.0172	Plate.....	1	78	07.0723.0227	PIPE FITTING.....	1
40	07.0723.0057	SCREW,M6-1.0X20MM FHSCS ZP.....	3	79	07.0723.0045	KEY.....	1
41	07.0723.0137	Screw.....	4				



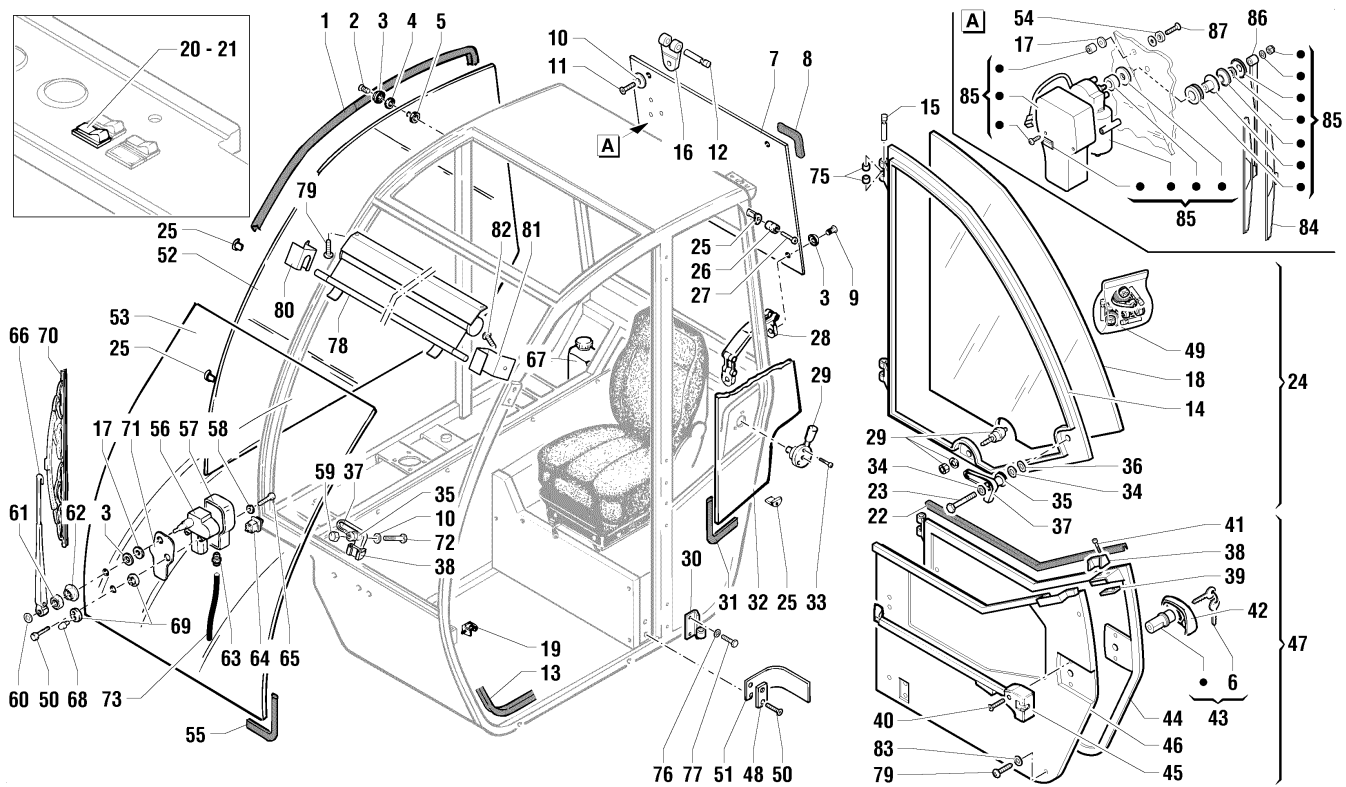
103.1 604712 Cab-Door And Glasses  
(continued)

Item	Part No.	Description	Qty.
80	07.0723.0337	HANDLE EXTENSION.....	1
81	07.0723.0345	BUSHING.....	8
82	07.0723.0076	Plain Washer D6x18 .....	8
83	07.0723.0040	Screw TCB 1BG3223.....	8



*This Page Intentionally Left Blank*

104.1 604712 Cab - Door And Glasses



104.1 604712 Cab - Door And Glasses

Item	Part No.	Description	Qty.	Item	Part No.	Description	Qty.
1	07.0723.0174	SEAL.....	1	40	07.0723.0057	SCREW,M6-1.0X20MM FHSCS ZP.....	3
2	07.0723.0169	Screw TSPEI M8x40.....	2	41	07.0723.0421	SCREW,TCB+M6X35.....	4
3	07.0723.0439	Washer.....	8	42	07.0723.0156	HANDLE.....	1
4	07.0723.0096	RUBBER.....	2	43	07.0723.0188	KEY SWITCH WITH 2 KEYS.....	1
5	07.0723.0171	Rubber.....	2	44	07.0723.0422	LOWER DOOR.....	1
6	07.0723.0045	KEY.....	1	44	07.0723.0423	LOWER DOOR/ GTH5519.....	1
7	07.0723.0432	REAR GLASS.....	1			(steel)	
8	07.0723.0190	SEAL.....	1	45	07.0723.0157	HANDLE, INTERNAL DOOR.....	1
9	07.0723.0441	SCREW,TCEI M5X50.....	2	46	07.0723.0420	DOOR COATING, 5519 LOWER DOOR.....	1
10	07.0723.0114	Nylon Washer.....	2	47	07.0723.0448	LOWER DOOR ASSY GTH5519 ****.....	1
11	07.0723.0176	SCREW,TSPEI M8X25.....	2	47	07.0723.0460	LOWER DOOR ASSY.....	1
12	07.0723.0442	Pin.....	2	48	07.0723.0419	PLATE, BELT RETAINING 5519.....	1
13	07.0723.0152	SEAL (1 PIECE = 3 METERS).....	1	49	58.1800.1300	Hinge.....	1
14	07.0723.0425	UPPER DOOR FRAME.....	1	50	07.0723.0175	SCREW, M6X20 DIN 933 YZ HCS.....	5
15	07.0723.0410	PIN,8X85.....	4	51	07.0723.0461	BELT, DOOR ASSY GTH5519.....	1
16	07.0723.0155	HINGE.....	2	52	07.0723.0165	RIGHT SIDE GLASS.....	1
17	07.0723.0223	Rubber.....	3	53	07.0723.0219	Front Side Glass.....	1
18	07.0723.0426	UPPER DOOR GLASS GTH5519.....	1	54	07.0740.0117	WASHER.....	2
19	640995	CLIP.....	1	55	07.0723.0220	Seal.....	1
20	07.0703.0088	SWITCH.....	1	56	07.0723.0221	WIPER MOTOR.....	1
21	07.0703.0077	SWITCH,COVER,FAN/GREEN.....	1	57	07.0723.0228	Guard.....	1
22	07.0723.0183	GASKET.....	1	58	07.0723.0202	Washer.....	2
23	01.0001.0252	SCREW M8X16 UNI 5739 8.8 ZN.....	1	59	07.0723.0135	NUT.....	1
24	07.0723.0684	UPPER DOOR FRAME WITH GLASS.....	1	60	07.0723.0232	Plain Washer D8x16 UNI 6592.....	1
25	641042	GLASS STOP.....	16	61	07.0723.0231	Nut.....	1
26	07.0723.0236	STOP PAD.....	2	62	07.0723.0230	Spacer.....	1
27	07.0723.0237	SCREW,M10-1.5X90 12.9 SHCS.....	1	63	07.0723.0227	PIPE FITTING.....	1
28	07.0723.0434	TOGGLE LEVER,COMPLETE.....	2	64	07.0723.0229	SWITCH.....	1
29	07.0723.0144	DOOR STOP KIT.....	1	65	07.0723.0233	Screw.....	2
30	07.0723.0672	HINGE.....	4	66	07.0723.0036	WIPER ARM.....	1
31	07.0723.0190	SEAL.....	1	67	641004	TANK, WIPER W/ PUMP.....	1
32	07.0723.0166	LEFT SIDE GLASS.....	1	68	07.0723.0224	Spray Nozzle.....	1
33	07.0723.0185	SCREW, M6X30DIN933 YZ HCS.....	3	69	07.0723.0225	Plastic Washer.....	2
34	07.0723.0428	WASHER,D10X20.....	2	70	07.0723.0037	WIPER BLADE.....	1
35	641020	BUSHING.....	2	71	07.0723.0222	Label.....	1
36	07.0723.0429	CRINKLE WASHER,DM.10.....	1	72	07.0723.0133	Screw TSPEI M8X70.....	1
37	641019	HANDLE.....	2	73	07.0723.0226	RUBBER HOSE.....	1
38	641024	STOP.....	2				
39	07.0723.0172	Plate.....	1				

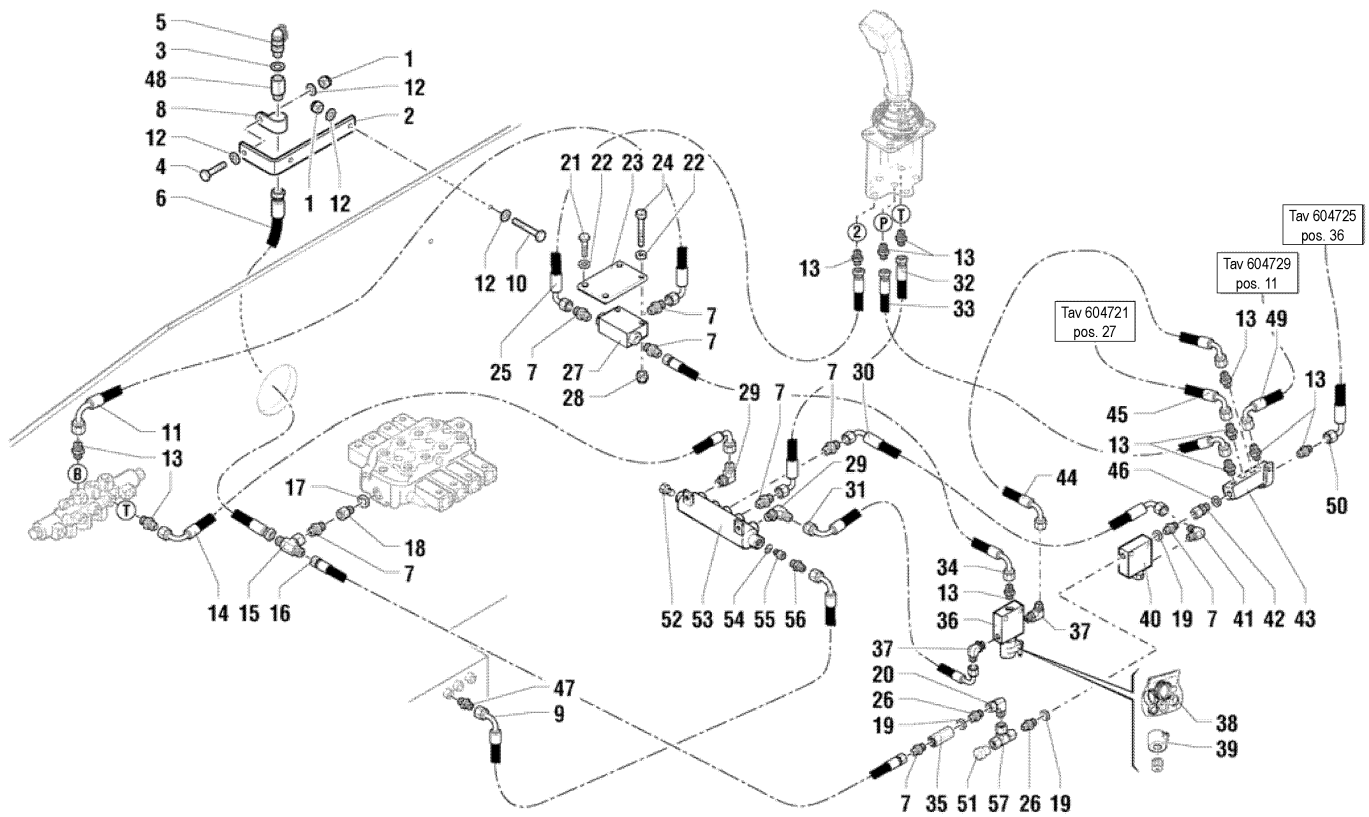


104.1 604712 Cab - Door And Glasses  
(continued)

Item	Part No.	Description	Qty.
75	07.0723.0345	BUSHING.....	8
76	07.0723.0076	Plain Washer D6x18 .....	8
77	07.0723.0040	Screw TCB 1BG3223.....	8
78	07.0723.0142	LEVEL GAUGE.....	1
79	07.0723.0039	SCREW,PPH SMS 10X3/4ZAKEG.....	7
80	07.0723.0407	BRACKET,RIGHT.....	1
81	07.0723.0408	BRACKET,LEFT.....	1
82	07.0723.0409	Screw.....	2
83	07.0723.0074	WASHER.....	3
84	07.0723.0446	WINDSCREEN WIPER BRUSH .....	1
85	07.0740.0247	REAR WIPER KIT.....	1
86	07.0723.0036	WIPER ARM.....	1
87	07.0723.0444	SCREW,TPEI,M8X30.....	2

*This Page Intentionally Left Blank*

105.1 604726 Hydraulic System

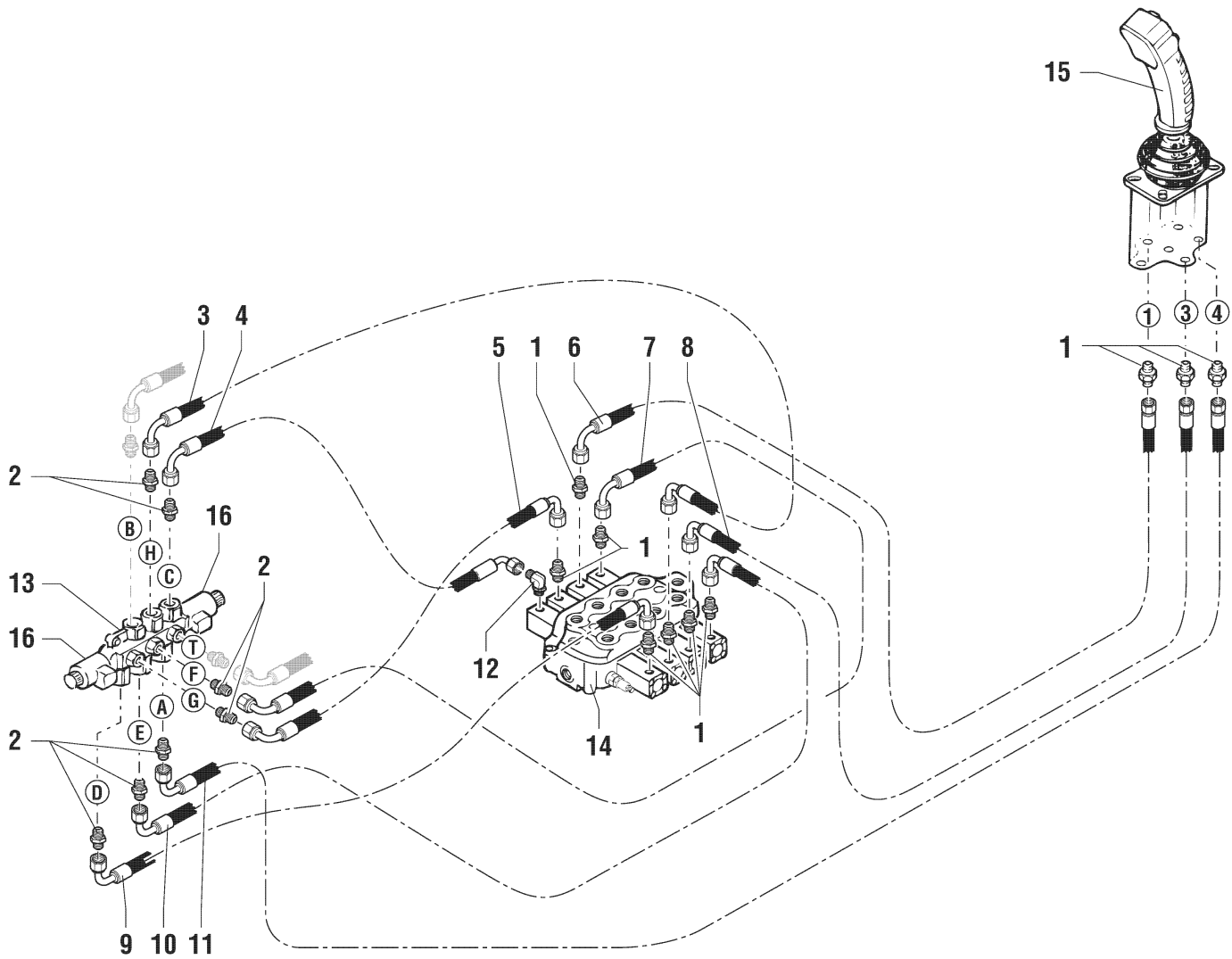


105.1 604726 Hydraulic System

Item	Part No.	Description	Qty.	Item	Part No.	Description	Qty.
1	01.0023.0054	NUT,M8 UNI 7473 6S ZN.....	3	33	04.0605.0179	HOSE R1X1/4 LG 700 FD-F90 9/16-18 ORFS.....	2
2	51.0808.6000	Bracket.....	1	33	04.0605.0583	HOSE R1X1/4LG700 A.R.M.1/4 F90 9/16-18.....	1
3	06.0442.0054	WASHER.....	1	34	04.0605.0178	FLEXIBLE HOSE.....	1
4	01.0001.0256	SCREW M8X25 UNI 5739 8.8 ZN....	1	35	04.4239.0032	VALVE.....	1
5	04.4210.0016	PRESSURE TUBE.....	1	36	04.4240.0015	VALVE.....	1
6	04.0605.0507	Flexible Hose.....	1	37	04.0607.0112	PIPE FITTING M-M A 90 1/4 BSPX9/16-18 ORFS.....	2
7	04.0607.0114	PIPE FITTING 3/8 BSPX9/16-18 ORFS.....	6	38	07.4529.0028	Joint Kit.....	1
8	04.4227.0003	Clamp D16 D8.4 .....	1	39	07.0704.0128	Solenoid.....	1
9	04.0605.0193	Flexible Hose.....	1	40	04.4225.0005	Valve.....	1
10	01.0001.0206	SCREW M8X55 UNI 5737 8.8 ZN....	2	41	04.0607.0140	Fitting 3/8 BSP X 9/16 ORFS.....	1
11	04.0605.0227	Flexible Hose.....	1	42	04.0600.0031	Pipe Fitting GMF 1/4" BSP.....	1
12	01.0031.0055	FLAT WASHER D8 UNI 6592 ZN ....	6	43	53.3001.0800	Manifold.....	1
13	04.4210.0024	PIPE FITTING.....	11	44	04.0605.0232	Flexible Hose.....	1
14	04.0605.0225	Hose R1 X 1/4 LG.1000 F90 F90 9/16-18 ORFS a 90°.....	1	45	04.0605.0366	Flexible Hose.....	1
15	04.0607.0131	PIPE FITTING TMF+C 9/16-18 ORFS.....	1	46	06.0442.0101	WASHER.....	1
16	04.0605.0229	Flexible Hose R2 X 1/4 LG. 900 FD FD 9/16-18 ORFS.....	1	47	04.0607.0139	PIPE FITTING.....	1
17	06.0442.0105	WASHER,JC 27,SP,2,5.....	1	48	04.0600.0160	PIPE FITTING.....	1
18	04.0600.0013	FITTING,GWR,3/4M X 3/8F.....	1	49	04.0605.0220	Flexible Hose.....	1
19	06.0442.0102	Copper Washer JC 17.....	3	50	04.0605.0213	Flexible Hose.....	1
20	04.0600.0025	Pipe Fitting MFK 90 1/4 BSP.....	1	51	04.0220.0051	PLUG 1/4" BSP.....	1
21	01.0001.0254	SCREW M8X20 UNI 5739 8.8 ZN....	2	52	04.0220.0059	PLUG 3/4 BSP.....	1
22	01.4032.0003	SPRING WASHER D 8 ZN .....	2	53	53.3000.1100	Manifold.....	1
23	51.0806.3500	Support.....	1	54	06.0442.0105	WASHER,JC 27,SP,2,5.....	2
24	01.0001.0106	SCREW M6X50 UNI 5737 8.8 ZN....	2	55	04.0600.0013	FITTING,GWR,3/4M X 3/8F.....	1
25	04.0605.0179	HOSE R1X1/4 LG 700 FD-F90 9/16-18 ORFS..... <i>Up To Serial Number 14905</i>	1	56	04.0607.0117	PIPE FITTING 3/8BSPX11/16-16 ORFS.....	1
25	04.0605.0582	HOSE ASSEMBLY R1X1/4LG350 A.R.M.1/4-F90 9/16-18..... <i>From serial Number 14906</i>	1	57	04.0600.0159	PIPE FITTING .....	1
26	04.0600.0021	PIPE FITTING 1/4X3/8 BSP.....	2				
27	04.4239.0019	Valve.....	1				
28	01.0023.0053	STOP NUT M6 UNI 7473 6S ZN ....	2				
29	04.0607.0140	Fitting 3/8 BSP X 9/16 ORFS.....	2				
30	04.0605.0185	Flexible Hose.....	1				
31	04.0605.0226	Flexible Hose.....	1				
32	04.0605.0178	FLEXIBLE HOSE.....	1				



106.1 604727 Hydraulic System - Pilotages

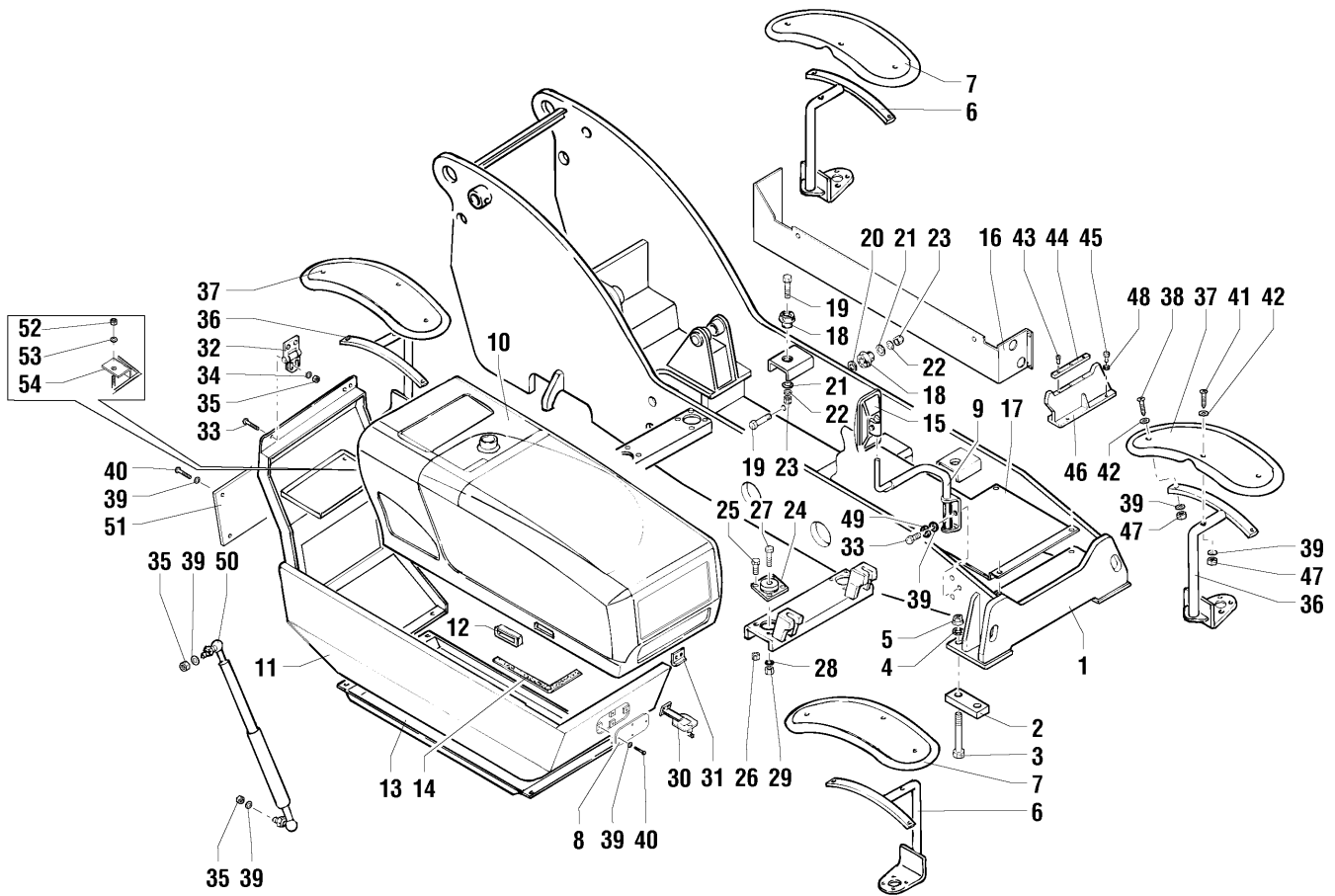




106.1 604727 Hydraulic System - Pilotages

Item	Part No.	Description	Qty.
1	04.4210.0024	PIPE FITTING.....	10
2	04.0607.0114	PIPE FITTING 3/8 BSPX9/16-18 ORFS.....	7
3	04.0605.0223	Hose R1 X 1/4 LG. 800 F90-F90 9/16-18 ORFS.....	1
4	04.0605.0177	FLEXIBLE HOSE.....	1
5	04.0605.0181	Flexible Hose.....	1
6	04.0605.0180	Flexible Hose R1 X 1/4 LG.1000 FD F90 9/16-18 ORFS..... <i>Up To Serial Number 14905</i>	1
6	04.0605.0587	FLEXIBLE HOSE..... <i>From Serial Number 14906</i>	1
7	04.0605.0181	Flexible Hose.....	1
8	04.0605.0180	Flexible Hose R1 X 1/4 LG.1000 FD F90 9/16-18 ORFS..... <i>Up To Serial Number 14905</i>	1
8	04.0605.0587	FLEXIBLE HOSE..... <i>From Serial Number 14906</i>	1
9	04.0605.0220	Flexible Hose.....	1
10	04.0605.0220	Flexible Hose.....	4
11	04.0605.0211	Hose R1 X 1/4 LG.1350 FD F90 9/16-18 ORFS..... <i>Up To Serial Number 14905</i>	1
11	04.0605.0584	FLEXIBLE HOSE..... <i>From Serial Number 14906</i>	1
12	04.0607.0112	PIPE FITTING M-M A 90 1/4 BSPX9/16-18 ORFS.....	1
13	04.4240.0042	Solenoid Valve.....	1
14	04.4236.0029	Control Valve.....	1
15	04.4237.0010	Joystick.....	1
16	07.0704.0143	SOLENOID**** .....	2

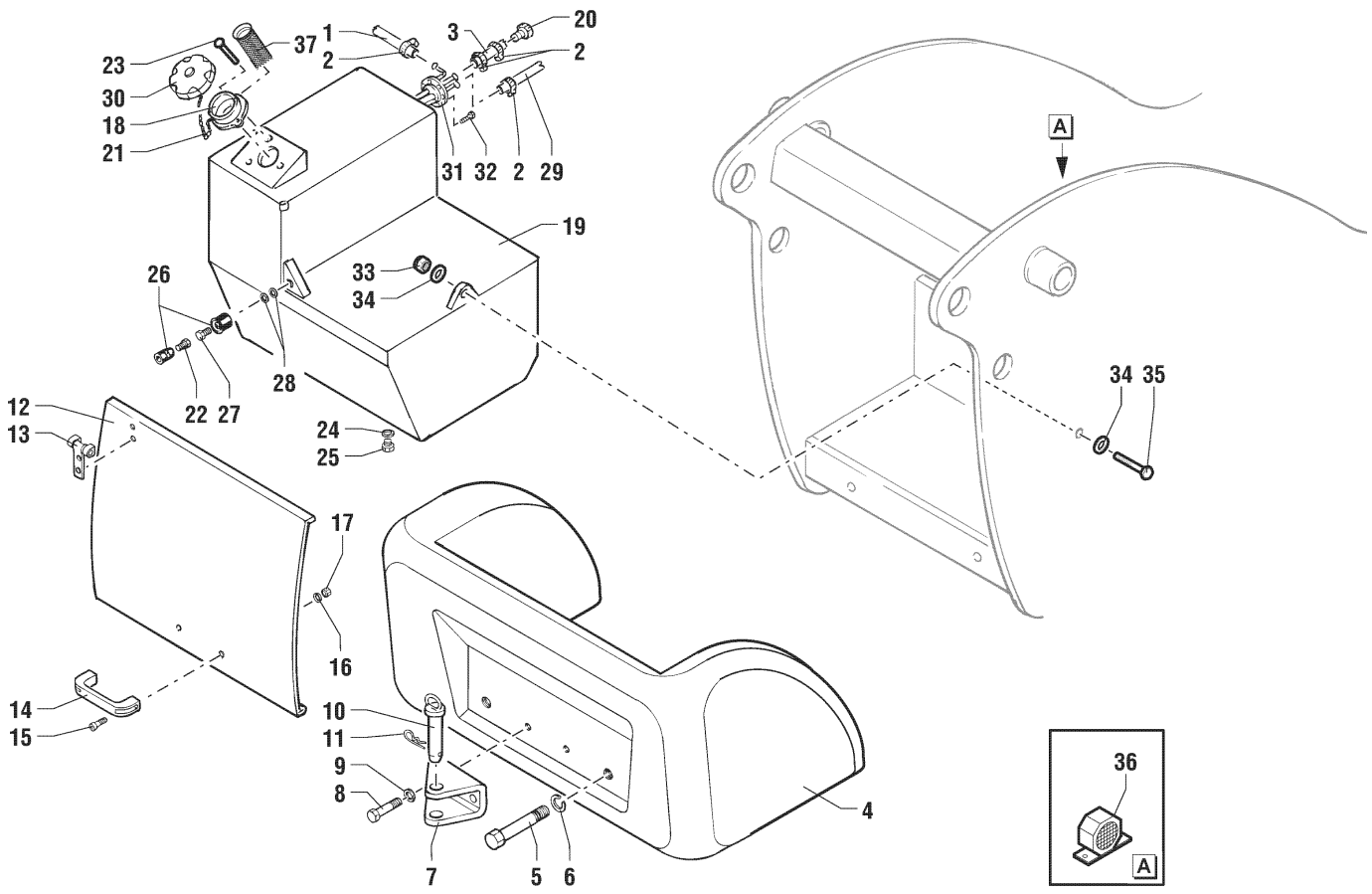
201.1 604713 Frame



201.1 604713 Frame

Item	Part No.	Description	Qty.	Item	Part No.	Description	Qty.
1	51.0111.1000	Frame.....	1	36	51.0806.0000	SUPPORT, LEFT MUDGUARD.....	2
2	51.0805.1900	Plate.....	2	37	09.0803.0228	Mud-Guard.....	2
3	01.4001.0057	Screw TE M24X220UNI 5737 8.8 ZN.....	4	38	01.0006.0033	Screw TSPEI M 6X25UNI5933 8.8ZN.....	8
4	01.0031.0063	Washer D24 UNI 6592 ZN.....	4	39	01.0031.0055	FLAT WASHER D8 UNI 6592 ZN .....	22
5	01.0023.0062	Nut M24 UNI 7473 6SZN.....	4	40	01.0001.0156	SCREW M6X20 UNI 5739 8.8 ZN ...	8
6	51.0806.1000	SUPPORT.....	2	41	01.4006.0016	Screw TSPEI M6x55 UNI 5933 10.9 ZN.....	3
7	09.0803.0229	Mud-Guard.....	2	42	09.0803.0012	WASHER D6.....	12
8	07.0726.0065	Hatch.....	1	43	01.0003.0203	SCREW M8X20 UNI 8.8 ZN.....	3
9	51.0802.4400	MIRROR SUPPORT.....	1	44	54.0702.0014	Pad 20X250.....	1
10	52.1100.7200	Guard.....	1	45	01.0001.0356	SCREW,TE,M10X30 UNI 8.8 ZN....	2
11	51.0902.5800	Guard.....	1	46	51.0803.5700	SUPPORT.....	1
12	09.0803.0005	Handle.....	1	47	01.0023.0053	STOP NUT M6 UNI 7473 6S ZN ...	12
13	51.0901.5500	Guard.....	1	48	01.0031.0301	FLAT WASHER D10 UNI 6593 ZN .....	2
14	09.0803.0245	GASKET.....	2, 1-meter	49	01.4032.0003	SPRING WASHER D 8 ZN .....	3
15	09.4610.0003	MIRROR-REAR VIEW MIRROR....	1	50	09.4610.0011	Cylinder.....	1
16	51.0902.5600	Guard.....	1	51	07.0726.0083	LOCK/PLATE.....	1
17	51.0902.5500	Guard.....	1	52	01.0023.0054	NUT,M8 UNI 7473 6S ZN.....	1
18	07.0723.0004	INSULATOR.....	4	53	01.0031.0055	FLAT WASHER D8 UNI 6592 ZN ....	1
19	01.0001.0659	Screw TE M16X100 UNI 5737 8.8 ZN.....	4	54	07.0726.0107	BATTERY HOLD DOWN BRACKET.....	1
20	54.0100.0002	WASHER D70/16, SP 8.....	2				
21	54.0100.0017	WASHER, ZN, D70/16, SP 4.....	4				
22	01.4031.0001	WASHER,CHMFRD,D16,UNI 6593,ZN.....	4				
23	01.0023.0058	STOP NUT M16 UNI 7473 6S ZN...4	4				
24	09.4670.0004	VIBRATION DAMPING.....	4				
25	01.0001.0356	SCREW,TE,M10X30 UNI 8.8 ZN...16	16				
26	01.0023.0055	NUT,STOP,M10 UNI 7473 6S ZN.....	16				
27	01.4001.0012	SCREW M14X100UNI 5737 8.8 ZN.....	4				
28	01.0031.0058	FLAT WASHER D14 UNI 6592 ZN .....	4				
29	01.0023.0057	STOP NUT M14 UNI 7473 6S ZN...4	4				
30	09.0803.0244	Lock.....	1				
31	09.0803.0024	COUPLING/HOOK(LATCH)/BRACKET.1	1				
32	09.0803.0000	Hinge.....	2				
33	01.0001.0256	SCREW M8X25 UNI 5739 8.8 ZN...7	7				
34	01.0031.0299	FLAT WASHER D8 UNI 6593.....	4				
35	01.0023.0054	NUT,M8 UNI 7473 6S ZN.....	6				

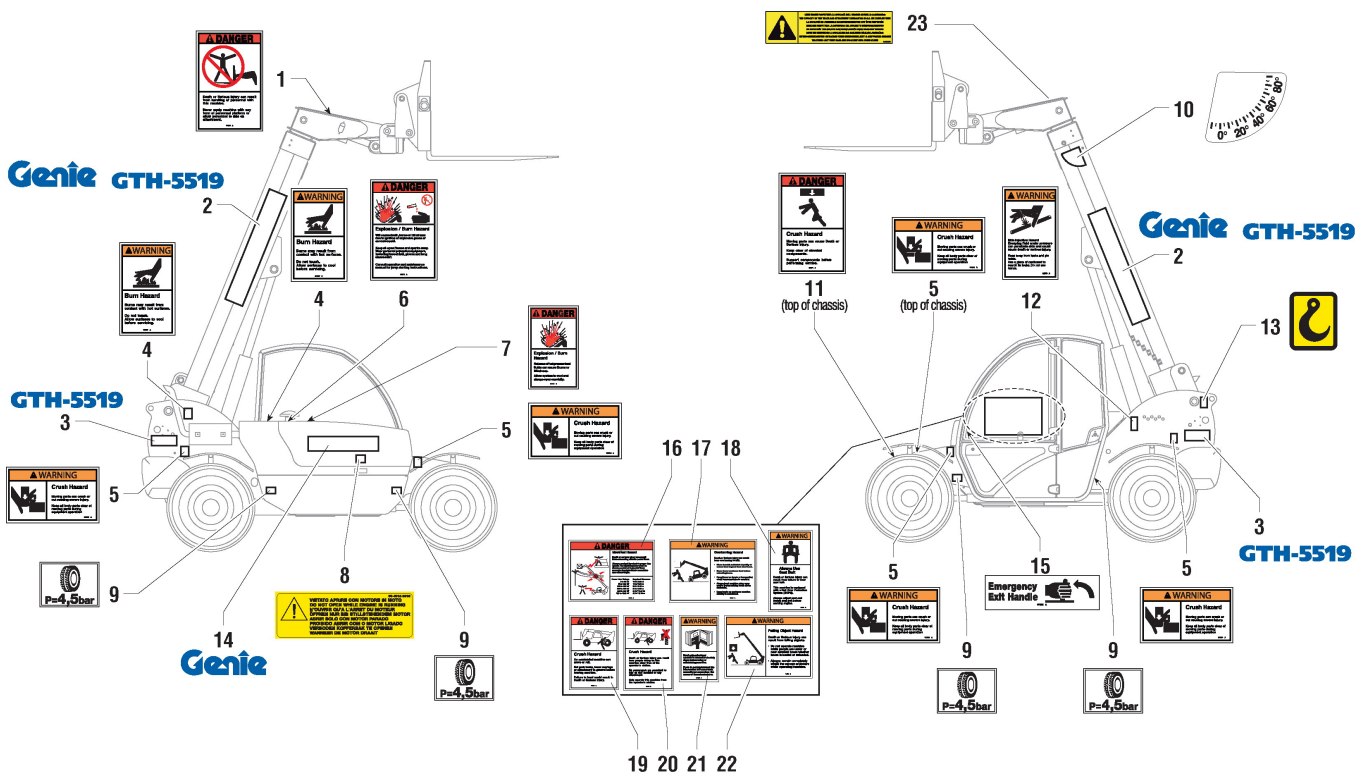
202.1 604714 Rear Frame Unit



202.1 604714 Rear Frame Unit

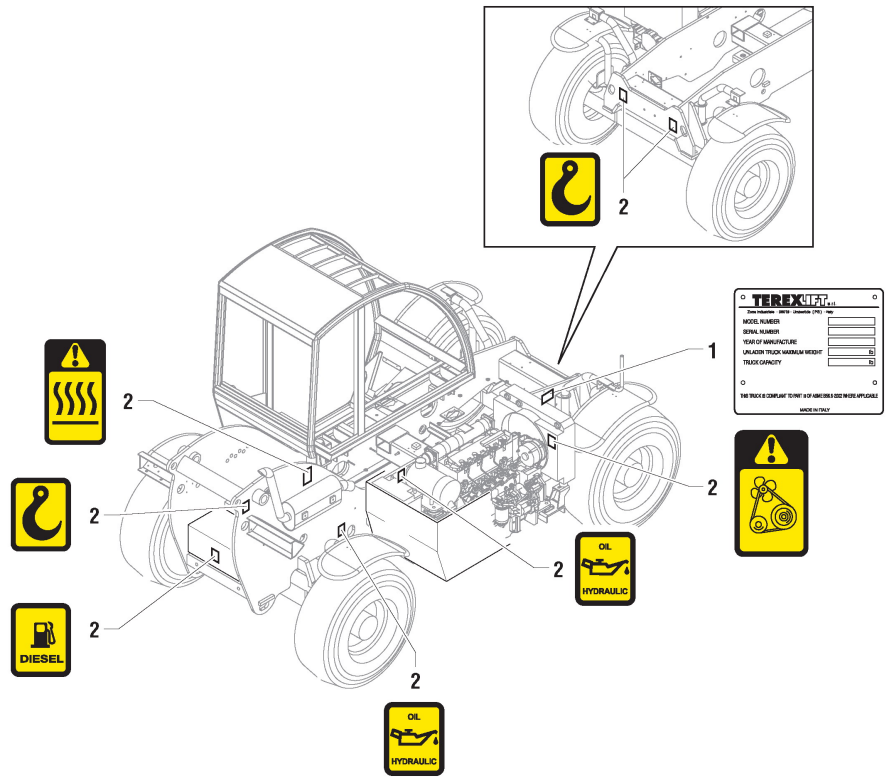
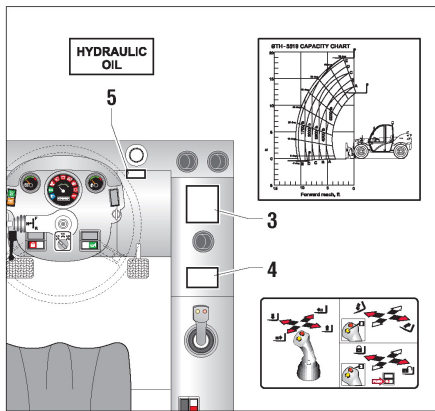
Item	Part No.	Description	Qty.	Item	Part No.	Description	Qty.
1	09.0805.0000	RUBBER HOSE.....	3	37	09.4661.0016	BASKET,PLUG.....	1
2	04.0227.0051	CLAMP DN 10/16 LG 9.....	4				
3	09.0805.0000	RUBBER HOSE.....	0,6-m				
4	51.1000.5200	COUNTERWEIGHT.....	1				
5	01.4001.0025	SCREW M24X160 UNI 5737 10.9 ZN.....	2				
6	01.4032.0000	SPRING WASHER D24 ZN.....	2				
7	51.0800.3800	Hitch.....	1				
8	01.0001.0702	Screw.....	2				
9	01.4032.0007	SPRING WASHER D16 ZN.....	2				
10	54.0000.0027	HITCH PIN.....	1				
11	09.0803.0026	SPRING SPLIT PIN.....	1				
12	51.0902.7000	REAR FRAME LOCK (BLUE).....	1				
13	09.0803.0025	Hinge.....	2				
14	09.0803.0002	HANDLE.....	1				
15	01.0003.0203	SCREW M8X20 UNI 8.8 ZN.....	2				
16	01.0031.0299	FLAT WASHER D8 UNI 6593.....	2				
17	01.0023.0054	NUT,M8 UNI 7473 6S ZN.....	2				
18	09.4661.0021	AIR INLET.....	1				
19	51.0600.2700	DIESEL TANK.....	1				
20	01.0001.0254	SCREW M8X20 UNI 5739 8.8 ZN....	1				
21	09.4661.0022	Chain.....	1				
22	01.0001.0204	Screw TE M 8X40 UNI 5739 8.8 ZN.....	1				
23	01.4001.0045	Screw TE M 5X10 UNI 5739 8.8 ZN.....	3				
24	07.4529.0119	O-Ring.....	1				
25	09.0803.0510	DRAIN PLUG M16.....	1				
26	09.4670.0000	KIT,DOOR LOCK.....	1				
27	01.0001.0158	SCREW M6X25 UNI 5739 8.8 ZN ...	1				
28	01.0031.0298	FLAT WASHER D6 UNI 6593 ZN ....	4				
29	09.0805.0000	RUBBER HOSE.....	3				
30	09.4661.0020	PLUG.....	1				
31	56.0012.0074	Fuel Gauge.....	1				
32	01.4001.0006	SCREW M4X10 UNI 5739 8.8 ZN....	6				
33	01.0023.0056	STOP NUT M12 UNI 7473 6S ZN....	1				
34	01.0031.0151	FLAT WASHER D12 UNI 6593 ZN.....	2				
35	01.0001.0405	SCREW, 8.8 HCS 12MM1.75X60Z.....	1				
36	56.0009.0009	ALARM.....	1				

203.1 604736 Label - Name Plate



Item	Part No.	Description	Qty.
1	97673	Danger - Fall Hazard, No Riders.....	1
2	09.4618.0643	Cosmetic - Genie GTH-5519.....	2
3	09.4618.0644	DECAL,COSMETIC,GTH-5519.....	2
4	97667	DECAL,BURN HAZARD.....	2
5	97664	DECAL,WARN,CRUSH HAZ MOVING PT.....	5
6	97671	DECAL,DANGER,EXPLSION/BURN HAZ.....	1
7	97675	DECAL,WARN,EXPLSION/BURN HAZ.....	2
8	09.4618.0010	DECAL, (DO NOT OPEN WHEN RUN).....	1
9	09.4618.0061	DECAL,TIRE PREASURE.....	4
10	09.4618.0205	DECAL, BOOM ANGLE INDICATOR.....	1
11	97674	Warning - Crush Hazard, Overhead Parts.....	1
12	82558	DECAL,SKIN INJECTION.....	1
13	09.4618.0109	DECAL, SHEET VARIOUS.....	1
14	09.4618.0641	LABEL,GENIE DECAL.....	1
15	97688	DECAL,EMERGENCY EXIT HANDLE.....	1
16	97676	DECAL,DANGER,ELECTRICAL HAZARD.....	1
17	97668	DECAL,WARN,OVERTURN HAZARD.....	1
18	97665	DECAL,WARN,WEAR SEAT BELT.....	1
19	97670	DECAL,DANGER,CRUSH HAZARD.....	1
20	97672	DECAL,DANGER,CRUSH HAZARD.....	1
21	97666	DECAL,WARN,READ MANUAL.....	1
22	97669	DECAL,WARN,FALLING OBJECT HAZ.....	1
23	09.4618.0784	Decal - Capacity of the Truck and Attachment.....	1

204.1 604737 Label - Name Plate

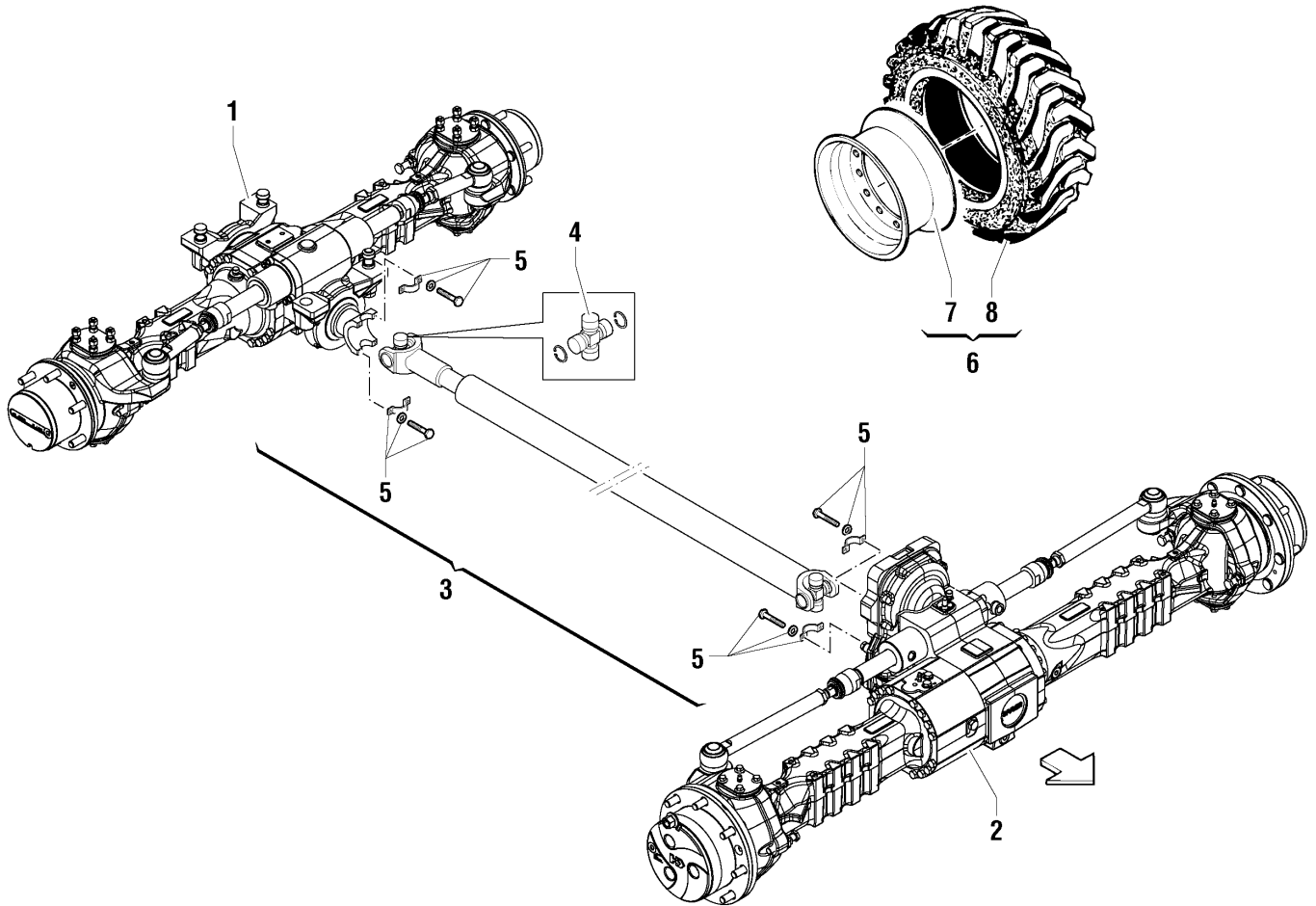


<b>TEREX</b>		0
<small>MODEL NUMBER</small> _____ <small>SERIAL NUMBER</small> _____ <small>YEAR OF MANUFACTURE</small> _____ <small>MAXIMUM TRUCK WEIGHT</small> _____ (E) <small>TRUCK CAPACITY</small> _____ (E)		
<small>THE TRUCK IS COMPLIANT TO THE 42 CFR 84.10101-50101 REGULATIONS</small> <small>MADE IN ITALY</small>		



Item	Part No.	Description	Qty.
1	09.4616.0101	Machine Data Plate.....	1
2	09.4618.0109	DECAL, SHEET VARIOUS.....	1
3	09.4618.0645	Label from SN 14976.....	1
3	09.4618.0679	Label to SN 14977.....	1
4	09.4618.0389	DECAL, JOYSTICK FUNCTIONS.....	1
5	09.4616.0051	Label - Hydraulic Oil.....	1

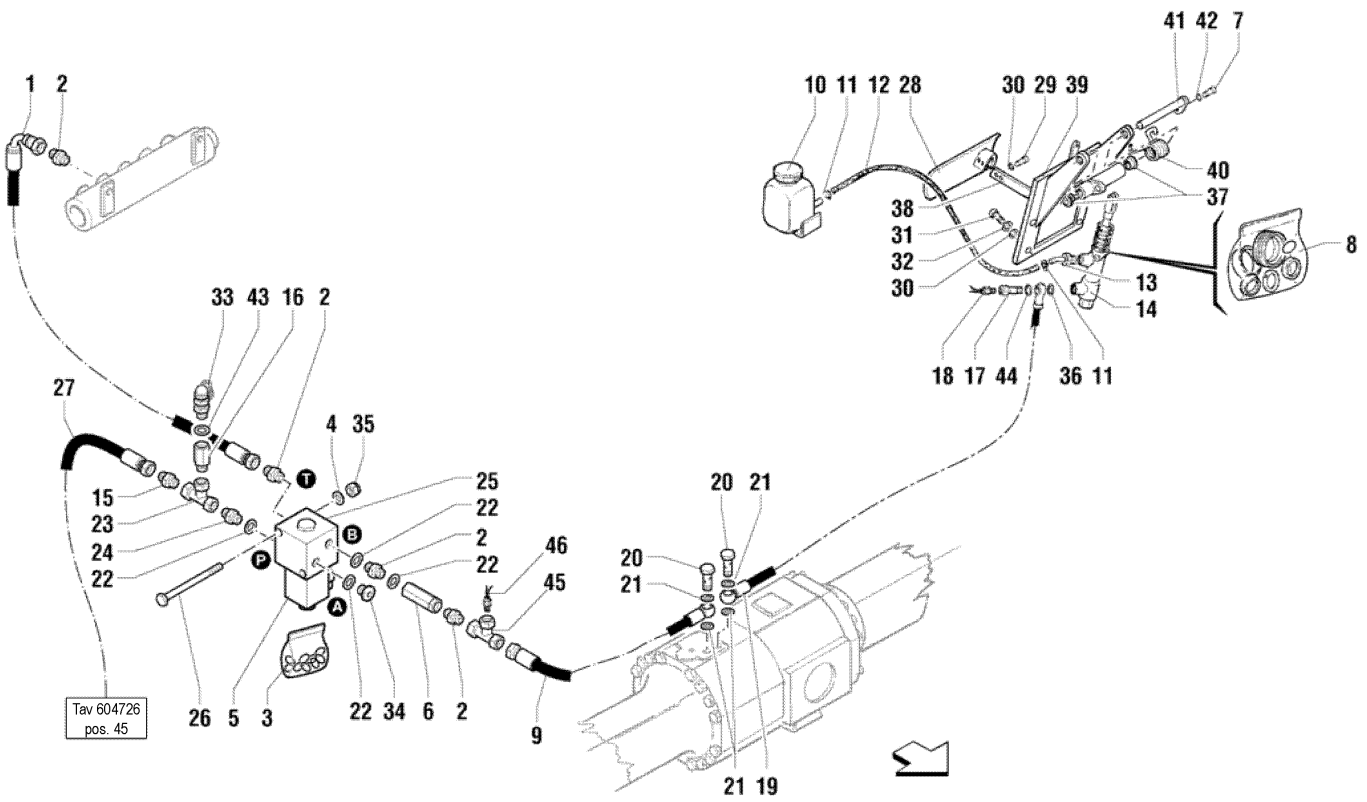
301.1 604717 Transmission And Wheels



301.1 604717 Transmission And Wheels

Item	Part No.	Description	Qty.
1	09.4632.0054	Rear Axle.....	1
2	09.4632.0053	Front Axle.....	1
3	09.4635.0040	Cardan Shaft.....	1
4	07.0738.0002	STAR WHEEL.....	2
5	09.4635.0014	CARDAN SHAFT ASSY KIT.....	4
6	55.0403.0046	COMPLETE WHEEL 16.5 AIR,RIGHT.....	4
7	09.4629.0018	Rim 9.75 X 16.5".....	4
8	09.4627.0018	Tire 12-16.5" PR10.....	4

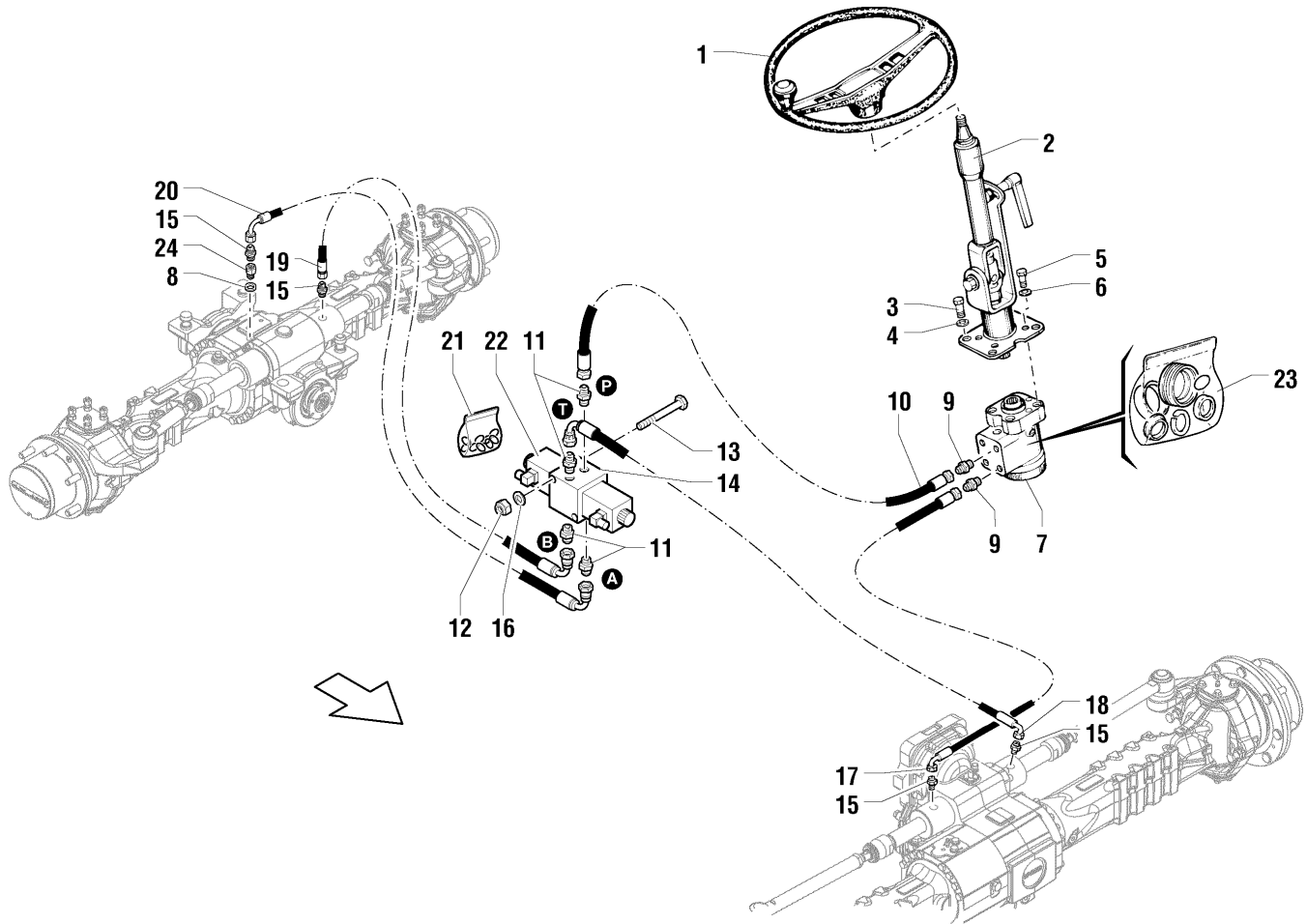
302.1 604721 Hydraulic System - Negative Brake



302.1 604721 Hydraulic System - Negative Brake

Item	Part No.	Description	Qty.	Item	Part No.	Description	Qty.
1	04.0605.0179	HOSE R1X1/4 LG 700 FD-F90 9/16-18 ORFS.....	1	29	01.0001.0252	SCREW M8X16 UNI 5739 8.8 ZN....	2
2	04.0607.0114	PIPE FITTING 3/8 BSPX9/16-18 ORFS.....	4	30	01.4032.0003	SPRING WASHER D 8 ZN .....	6
3	07.0728.0006	Joint Kit.....	1	31	01.0001.0254	SCREW M8X20 UNI 5739 8.8 ZN....	4
4	01.0031.0055	FLAT WASHER D8 UNI 6592 ZN .... <i>Up To Serial Number 16484</i>	2	32	01.0031.0299	FLAT WASHER D8 UNI 6593.....	4
4	01.0031.0298	FLAT WASHER D6 UNI 6593 ZN .... <i>From Serial Number 16485</i>	2	33	04.4210.0016	PRESSURE TUBE.....	1
5	07.0728.0007	COIL,SQUARE SOLENOID.....	1	34	04.0220.0053	PLUG 3/8" BSP.....	1
6	04.4239.0071	Valve.....	1	35	01.0023.0053	STOP NUT M6 UNI 7473 6S ZN .... <i>From Serial Number 16485</i>	2
7	01.0001.0154	SCREW,TE,M6X16 UNI 8.8 ZN....	1	35	01.0023.0054	NUT,M8 UNI 7473 6S ZN..... <i>Up To Serial Number 16484</i>	2
8	07.4529.0027	SEAL KIT .....	1	36	06.0442.0054	WASHER.....	1
9	04.0605.0217	Flexible Hose.....	1	37	07.0730.0013	Bushing BL16234.....	2
10	05.4309.0002	BRAKE RESERVOIR W/BRACKET .....	1	38		Lever..... <i>not available separately; order Brake Kit 07.0730.0025 for replacement</i>	1
11	04.0227.0054	CLAMP DN 15/25 LG 9.....	2	39	07.0730.0025	BRAKE PEDAL KIT..... <i>includes item 38</i>	1
12	09.0805.0000	RUBBER HOSE.....	1	40	07.0730.0023	Spring.....	1
13	09.0803.0088	KNURLED COUPLING .....	1	41	07.0730.0017	PIN.....	1
14	05.4309.0001	Pump.....	1	42	01.4032.0002	SPRING WASHER D6 ZN.....	1
15	04.0607.0149	Pipe Fitting 1/4BSP. V.60°X9/16-18 ORFS.....	1	43	01.0032.0058	WASHER.....	1
16	04.0600.0160	PIPE FITTING.....	1	44	06.0442.0055	WASHER,D.14/20X1.5.....	1
17	05.0401.0007	DRILLED SCREW, PRESSURE SWITCH.....	1	45	04.0607.0146	Pipe Fitting.....	1
18	05.4329.0003	Pressure Switch.....	1	46	56.0012.0027	SWITCH, NEGATIVE BRAKE.....	1
19	05.0400.0010	Flexible Hose.....	1				
20	05.0401.0003	drilled Screw M14X1.5.....	2				
21	06.0442.0055	WASHER,D.14/20X1.5.....	6				
22	06.0442.0102	Copper Washer JC 17.....	4				
23	04.0600.0159	PIPE FITTING .....	1				
24	04.0600.0021	PIPE FITTING 1/4X3/8 BSP.....	1				
25	04.4240.0045	Valve..... <i>Up To Serial Number 16484</i>	1				
25	04.4240.0054	Valve..... <i>From Serial Number 16485</i>	1				
26	01.0001.0106	SCREW M6X50 UNI 5737 8.8 ZN.... <i>From Serial Number 16485</i>	2				
26	01.4001.0010	Screw TE M8X100 UNI 5737 8.8 ZN..... <i>Up To Serial Number 16484</i>	2				
27		604726 pos. 45					
28	07.0730.0019	PEDAL.....	1				

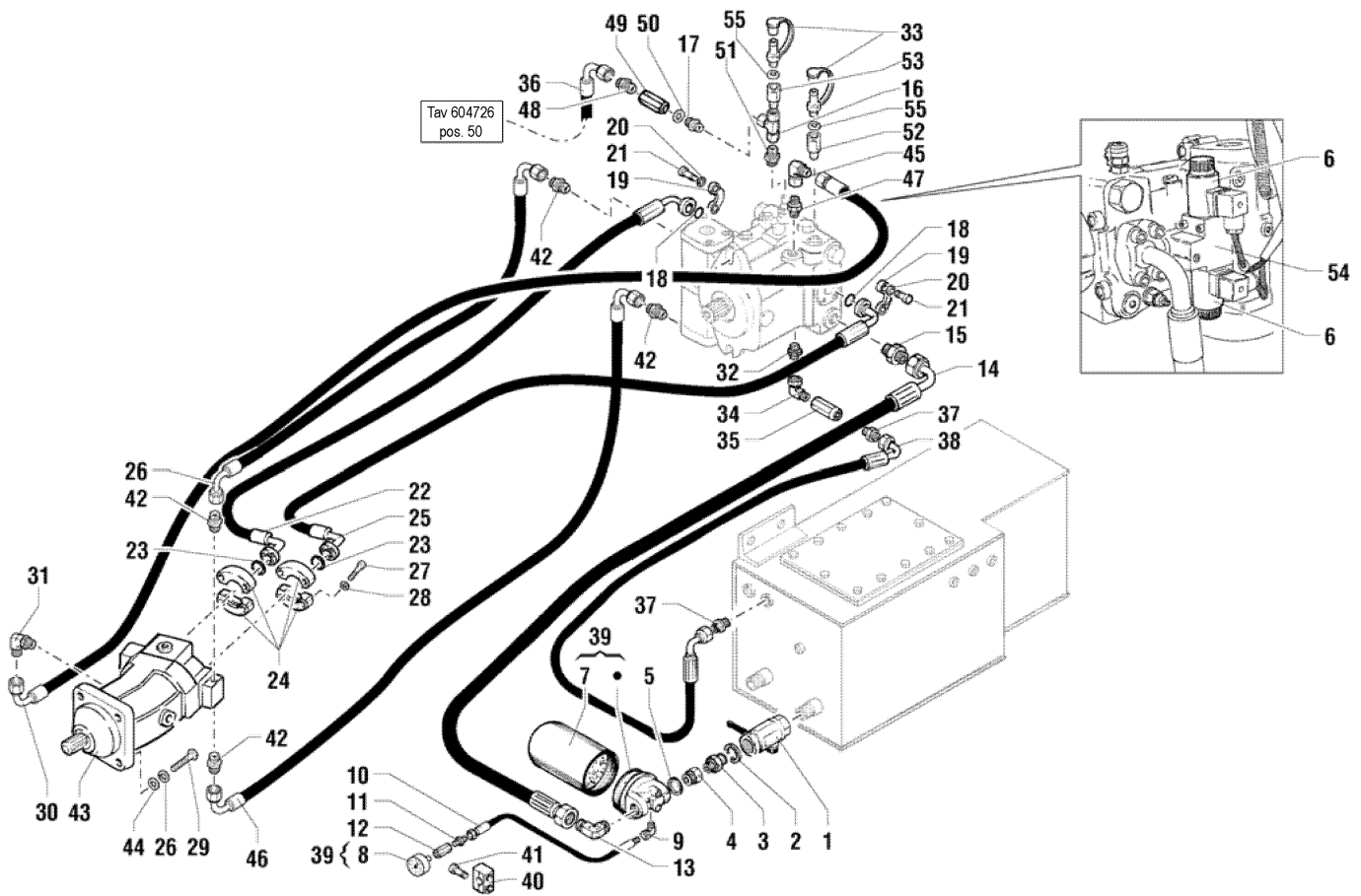
303.1 604722 Power Steering System



303.1 604722 Power Steering System

Item	Part No.	Description	Qty.
1	09.4636.0008	STEERING WHEEL.....	1
2	07.0703.0116	Steering Column.....	1
3	01.0001.0256	SCREW M8X25 UNI 5739 8.8 ZN....	4
4	01.4032.0003	SPRING WASHER D 8 ZN .....	4
5	01.0001.0355	SCREW,TE,M10X25 UNI 8.8 ZN....	4
6	01.0032.0055	Spring Washer D10 UNI 1751 ZN....	4
7	09.4636.0003	POWER STEERING ORBITAL.....	1
7	09.4636.0012	POWER STEERING.....	1
8	06.0442.0057	Copper Washer JC 18 SP.2,5.....	1
9	04.0607.0110	PIPE FITTING 1/2BSP x 11/16-16 ORFS.....	2
10	04.0605.0418	Flexible Hose.....	1
11	04.0607.0117	PIPE FITTING 3/8BSPX11/16-16 ORFS.....	4
12	01.0023.0034	Stop Nut.....	2
13	01.0001.0106	SCREW M6X50 UNI 5737 8.8 ZN....	2
13	01.4001.0010	Screw TE M8X100 UNI 5737 8.8 ZN.....	2
14	04.4240.0037	Solenoid Valve..... <i>To choose the correct valve check the one assembled on the machine</i>	1
14	04.4240.0052	SOLENOID VALVE..... <i>To choose the correct valve check the one assembled on the machine</i>	1
15	04.0607.0137	Pipe Fitting 18X1.5 X 11/16-16 ORFS.....	4
16	01.0031.0055	FLAT WASHER D8 UNI 6592 ZN ....	2
17	04.0605.0200	Flexible Hose.....	1
18	04.0605.0417	Flexible Hose.....	1
19	04.0605.0419	FLEXIBLE HOSE.....	1
20	04.0605.0203	Flexible Hose.....	1
21	07.0728.0006	Joint Kit.....	1
22	07.0728.0005	Solenoid..... <i>Only for solenoid valve 04.4240.0037 (ATOS Brand)</i>	2
22	07.4529.0111	COIL, VALVE .....	2
		<i>Only for solenoid valve 04.4240.0052 (LC Brand)</i>	
23	992989	SEAL KIT.....	1
24	04.0600.0163	Pipe Fitting.....	1

304.1 604725 Hydraulic System - Transmission

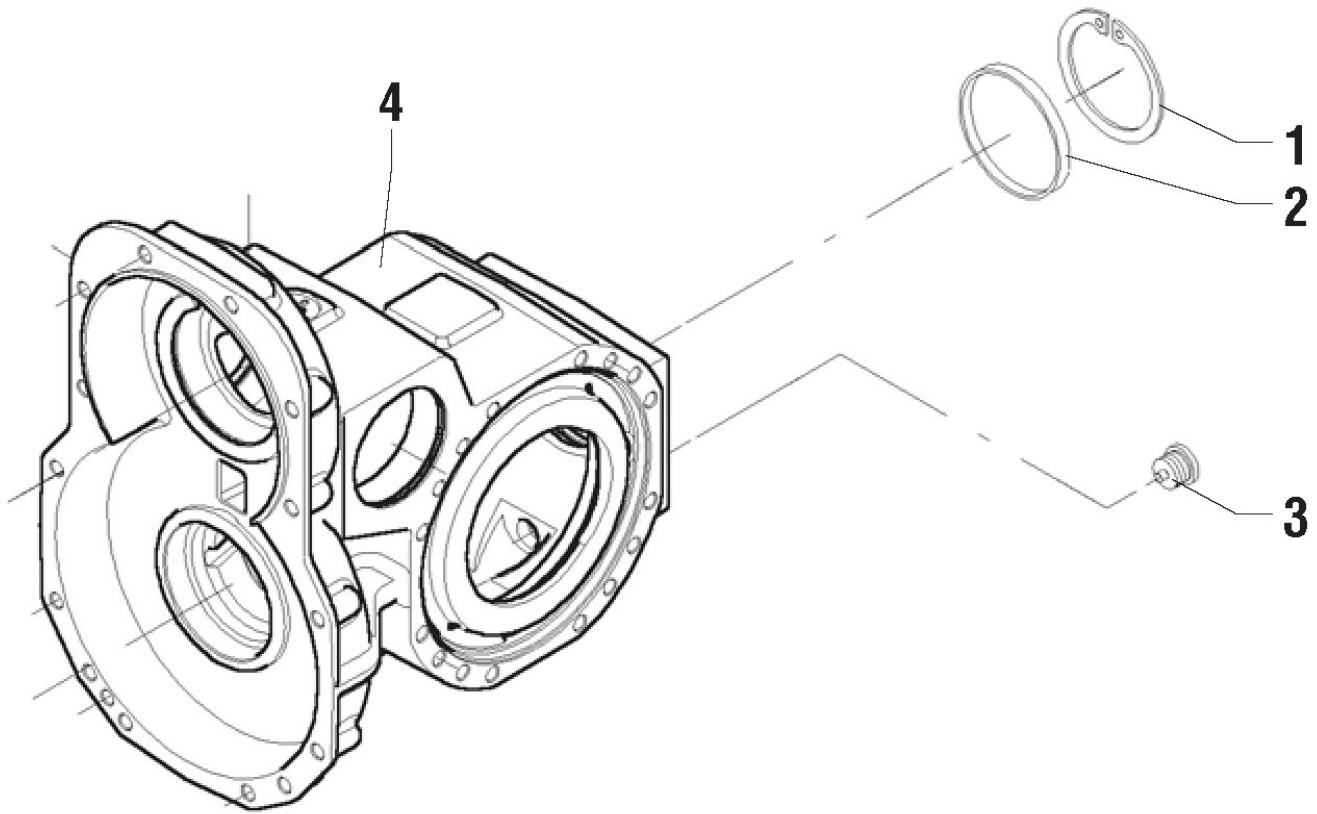




304.1 604725 Hydraulic System - Transmission

Item	Part No.	Description	Qty.	Item	Part No.	Description	Qty.
1	04.4224.0000	Ball Valve DN 1 1/2 .....	1	38	04.0605.0209	Flexible Hose.....	1
2	06.0442.0111	WASHER.....	1	39	09.4604.0001	Complete Filter.....	1
3	04.0600.0057	Pipe Fitting.....	1	40	09.0803.0043	SINGLE HOSE BRACKET D16.....	1
4	04.0600.0042	Pipe Fitting.....	1	41	01.0003.0157	SCREW M6X25 UNI 5931 8.8 ZN....	2
5	06.0442.0109	WASHER.....	2	42	04.0607.0103	PIPE FITTING M12X1.5 X 9/16-18 ORFS.....	4
6	07.0701.0007	SOLENOID (07.0701.0290).....	2	43	04.4235.0018	Hydraulic Motor.....	1
7	07.0700.0000	Cartridge.....	1	44	01.0031.0059	FLAT WASHER D16 UNI 6592 ZN.....	4
8	07.0700.0001	Indicator.....	1	45	04.0607.0129	Pipe Fitting.....	1
9	04.0600.0044	Pipe Fitting.....	1	46	04.0605.0167	Flexible Hose.....	1
10	04.0602.0490	Flexible Hose.....	1	47	04.0607.0104	PIPE FITTING.....	1
11	04.0600.0045	Pipe Fitting.....	1	48	04.0607.0114	PIPE FITTING 3/8 BSPX9/16-18 ORFS.....	1
12	04.0600.0053	SLEEVE.....	1	49	04.4239.0032	VALVE.....	1
13	04.0607.0127	Pipe Fitting.....	1	50	06.0442.0102	Copper Washer JC 17.....	1
14	04.0605.0195	Flexible Hose.....	1	51	04.0600.0068	Pipe Fitting M14X1.5X1/4 BSP .....	1
15	04.0607.0143	Pipe Fitting M33X2 X1"11/16-12 .....	1	52	04.0600.0165	Pipe Fitting.....	1
16	04.0600.0159	PIPE FITTING .....	1	53	04.0600.0160	PIPE FITTING.....	1
17	04.0600.0021	PIPE FITTING 1/4X3/8 BSP.....	1	54	07.0701.0196	Solenoid Valve.....	1
18	06.0401.0214	O-Ring.....	2	55	01.0032.0058	WASHER.....	2
19	04.4223.0004	PLATE/SEMI FLANGE.....	4				
20	01.0032.0055	Spring Washer D10 UNI 1751 ZN....	8				
21	01.0003.0257	Screw TCEI M10X35 UNI5931 8.8ZN .....	8				
22	04.4229.0035	Flexible Hose.....	1				
23	06.0401.0219	O-RING.....	2				
24	04.4223.0003	HALF FLANGE D47.....	4				
25	04.4229.0034	Flexible Hose.....	1				
26	04.0605.0204	Flexible Hose.....	1				
27	01.0003.0257	Screw TCEI M10X35 UNI5931 8.8ZN .....	8				
28	01.4032.0004	SPRING WASHER D10 ZN.....	8				
29	01.4001.0023	Screw TE M16X60 UNI 5737 8.8 ZN .....	4				
30	04.0605.0222	Flexible Hose.....	1				
31	04.0607.0105	Pipe Fitting.....	1				
32	04.0600.0050	Pipe Fitting M22X1.5X3/4.....	1				
33	04.4210.0016	PRESSURE TUBE.....	2				
34	04.0600.0038	Pipe Fitting.....	1				
35	04.4239.0013	Valve 3/4 PA 2.5.....	1				
36		604726 pos. 50					
37	04.0607.0107	PIPE FITTING 3/4"BSP X1"3/16-12 ORFS.....	2				

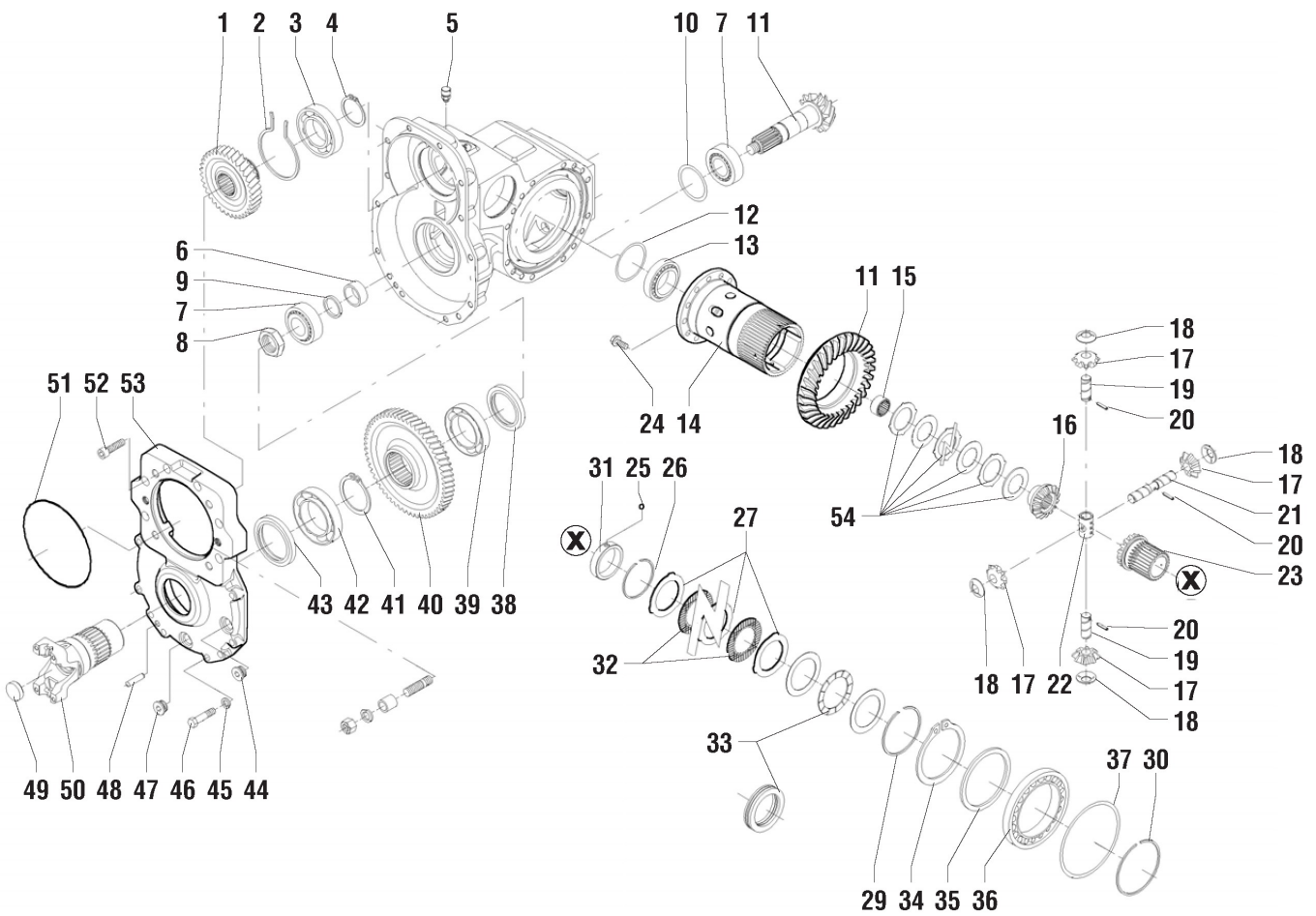
305.1 604739 Front Axle - Differential Case



305.1 604739 Front Axle - Differential Case

Item	Part No.	Description	Qty.
1	633204	SNAP RING (CIRCLIP).....	1
2	07.0709.0084	PLUG.....	1
3	07.0709.0232	Plug.....	1
4	07.0709.0292	HOUSING.....	1

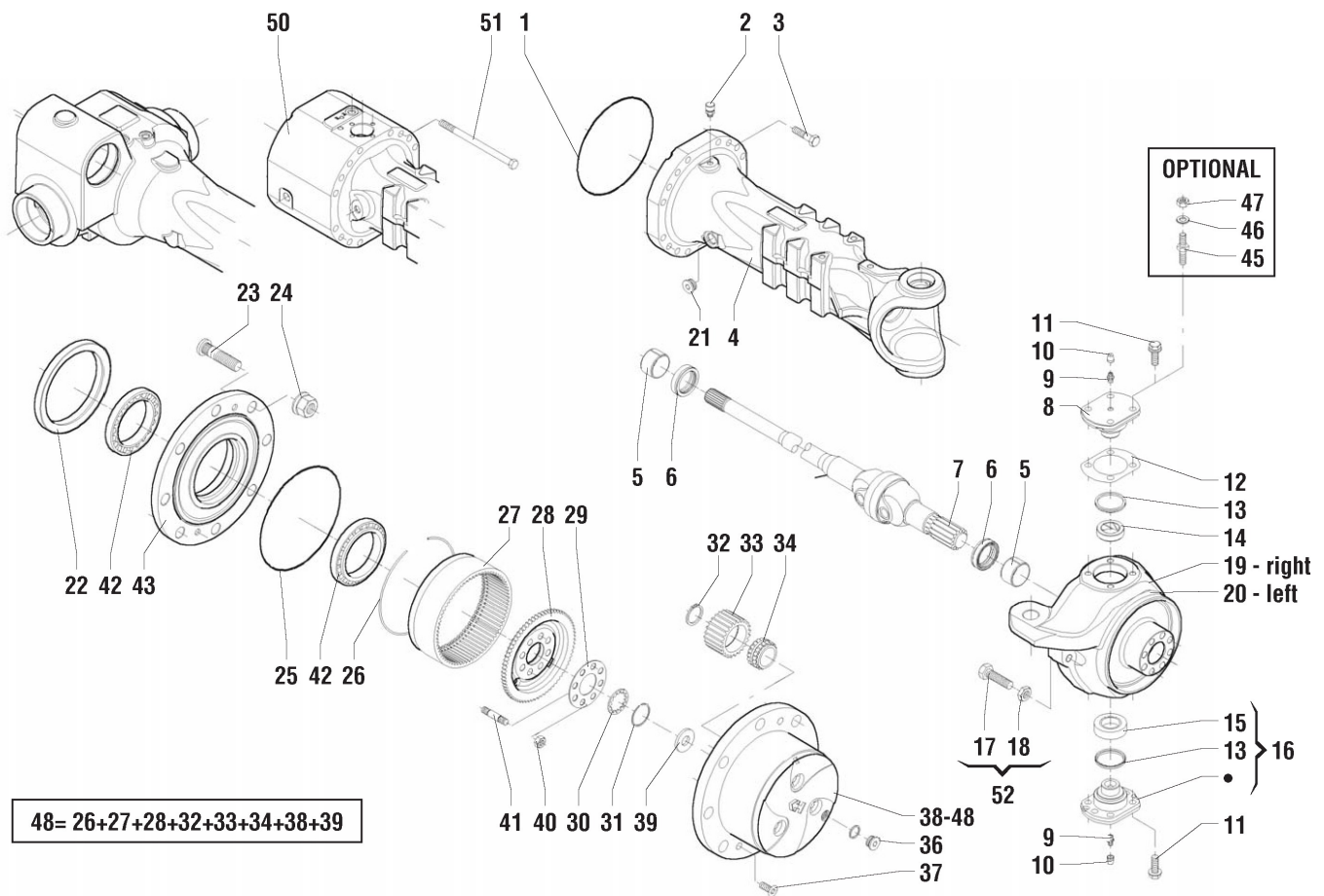
306.1 604740 Front Axle - Differential Gear



306.1 604740 Front Axle - Differential Gear

Item	Part No.	Description	Qty.	Item	Part No.	Description	Qty.
1	07.0709.0293	Gear.....	1	36	639637	Bearing.....	1
2	07.0709.0294	SNAP RING .....	1	37	07.0709.0309	Shim.....	1
3	07.0709.0130	BEARING.....	1	37	07.0709.0310	Shim.....	1
4	07.0709.0295	SNAP RING .....	1	37	07.0709.0311	Shim.....	1
5	639670	PLUG,BREATHER.....	1	38	07.0709.0312	SEAL .....	1
6	07.0709.0234	Spacer.....	1	39	07.0709.0313	BEARING.....	1
7	07.0709.0174	Bearing.....	2	40	07.0709.0314	Gear.....	1
8	07.0709.0296	RING NUT.....	1	41	07.0709.0315	SNAP RING.....	1
9	07.0709.0245	Ring.....	1	42	634561	BEARING.....	1
9	07.0709.0249	RING.....	1	43	07.0709.0316	SEAL.....	1
10	634391	SHIM,THICKNESS.....	1	44	07.0709.0274	PLUG.....	1
10	634392	SHIM,THICKNESS.....	1	45	07.0709.0188	SPRING WASHER.....	8
10	634393	SHIM,THICKNESS.....	1	46	639830	SCREW, 8.8 HCS 12MM-1.75X50 .....	8
11	07.0709.0709	BEVEL GEAR SET.....	1	47	07.0709.0232	Plug.....	1
12	07.0709.0257	THICKNESS.....	1	48	639832	DOWEL .....	1
12	07.0709.0258	THICKNESS.....	1	49	07.0709.0317	PLUG.....	1
12	07.0709.0259	THICKNESS.....	1	50	07.0709.0710	Flange.....	1
12	07.0709.0260	THICKNESS.....	1	51	07.0709.0127	O-RING .....	1
13	633529	BEARING .....	1	52	07.0709.0134	SCREW, 12.9 SHCS 12-1.75X45.....	6
14	07.0709.0297	Differential Case.....	1	53	07.0709.0319	Cover.....	1
15	633946	Bushing.....	1	54	07.0709.0320	Clutch Disc.....	1
16	07.0709.0298	DIFFERENTIAL SIDE GEAR.....	1				
17	633534	Differential Pinion.....	4				
18	633533	WASHER .....	4				
19	07.0709.0253	Pin.....	2				
20	07.0709.0254	DOWEL .....	3				
21	07.0709.0255	Pin.....	1				
22	07.0709.0256	STAR WHEEL.....	1				
23	07.0709.0299	DIFFERENTIAL SIDE GEAR.....	1				
24	07.0709.0160	Screw.....	12				
25	635597	Sphere.....	1				
26	07.0709.0300	Snap Ring.....	1				
27	07.0709.0301	Intermediate Clutch Disc.....	8				
29	07.0709.0302	Snap Ring.....	1				
30	07.0709.0303	SNAP RING.....	1				
31	07.0709.0304	Bushin.....	1				
32	07.0709.0305	CLUTCH DISC.....	1				
33	07.0709.0306	Bearing.....	1				
34	07.0709.0307	Snap Ring.....	1				
35	07.0709.0308	Spacer.....	1				

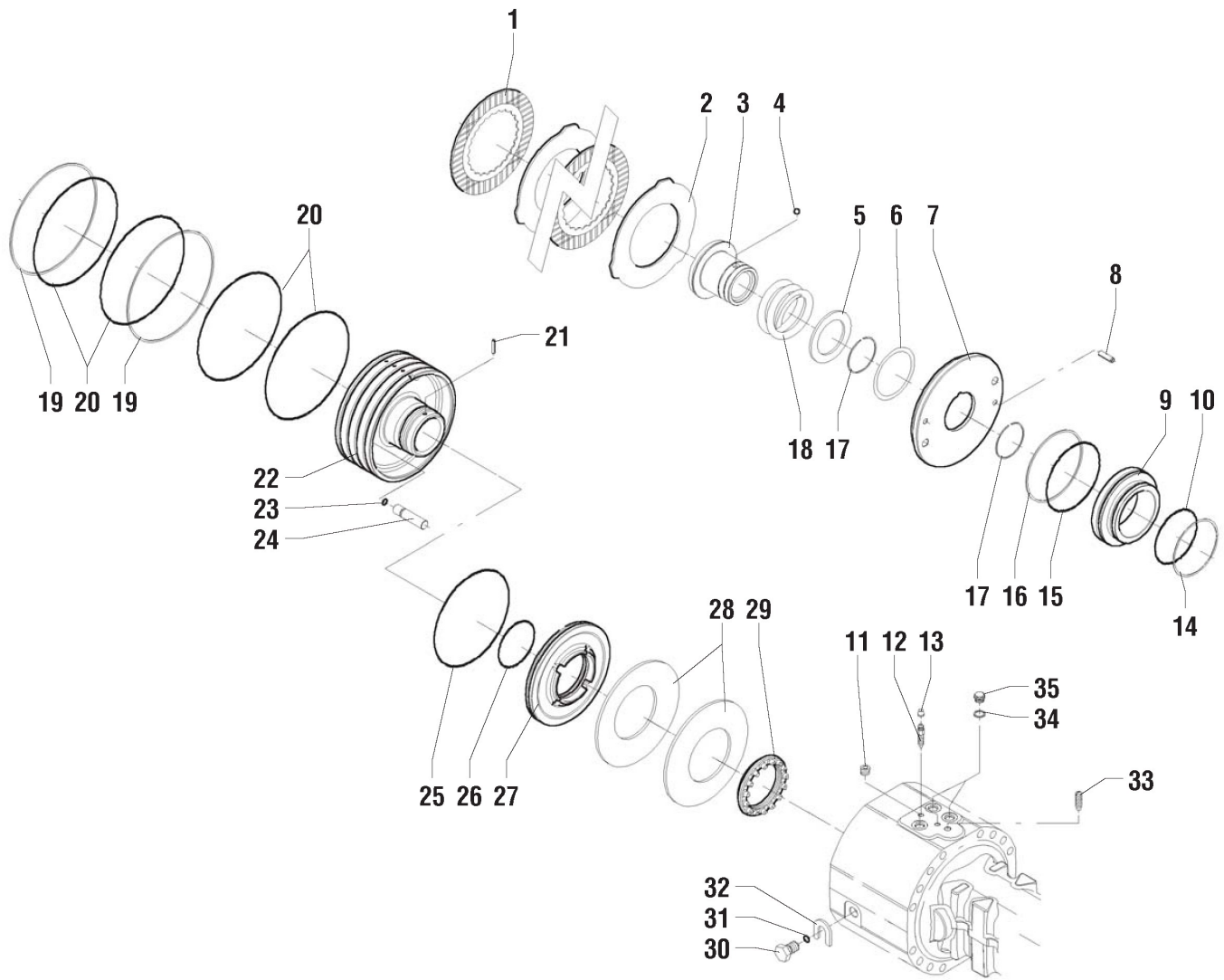
307.1 604741 Front Axle - Reduction Gear



307.1 604741 Front Axle - Reduction Gear

Item	Part No.	Description	Qty.	Item	Part No.	Description	Qty.
1	07.0709.0261	SEAL .....	2	40	07.0709.0280	Nut.....	16
2	639670	PLUG,BREATHER.....	1	41	07.0709.0281	Stud.....	16
3	07.0709.0262	Screw, 10.9HCS 12MM-1.75X50....	16	42	07.0709.0171	Bearing.....	4
4	07.0709.0263	ARM.....	1	43	07.0709.0282	Wheel Hub.....	2
5	07.0709.0264	Bushing.....	4	45	07.0709.0119	STUD,DRIVE AXLE.....	8
6	07.0709.0265	Sealing Ring.....	4	46	07.0709.0071	WASHER .....	8
7	07.0709.0266	Cardan Shaft.....	2	47	07.0709.0070	NUT.....	8
8	07.0709.0267	Pivot Pin.....	2	48	07.0709.0284	Support.....	2
9	633176	GREASE ZERK .....	4	50	07.0709.0322	ARM.....	1
10	638548	PLUG.....	4	51	07.0709.0323	Screw.....	16
11	07.0709.0057	SCREW,RING GEAR.....	12	52	07.0709.0365	SCREW,STEERING ADJUST.....	4
12	07.0709.0268	THICKNESS.....	2				
12	07.0709.0290	THICKNESS.....	2				
12	07.0709.0291	THICKNESS.....	2				
13	07.0709.0269	SEAL .....	2				
14	07.0709.0124	BUSHING.....	2				
15	07.0709.0270	Joint Box.....	2				
16	07.0709.0271	Pivot Pin.....	2				
17	634546	NUT.....	4				
18	07.0709.0104	SCREW.....	4				
19	07.0709.0272	HOUSING.....	1				
20	07.0709.0273	HOUSING.....	1				
21	07.0709.0274	PLUG.....	1				
22	07.0709.0363	SEAL.....	2				
23	07.0709.0117	WHEEL STUD.....	16				
24	07.0709.0118	Wheel Nut .....	16				
25	632383	SEAL / DIFFERENTIAL .....	2				
26	639646	Snap Ring.....	2				
27	639639	RING GEAR .....	2				
28	07.0709.0275	Ring Gear Support.....	2				
29	07.0709.0276	Safety Sheet.....	2				
30	07.0709.0277	Ring.....	2				
31	07.0709.0278	Circlip.....	2				
32	639641	SNAP RING.....	6				
33	639642	PINION,DIFFERENTIAL.....	6				
34	639643	Bearing .....	6				
36	07.0709.0113	PLUG.....	2				
37	07.0709.0065	SCREW.....	4				
38	07.0709.0321	PLANET GEAR CARRIER.....	2				
39	07.0709.0279	Shim Washer.....	2				

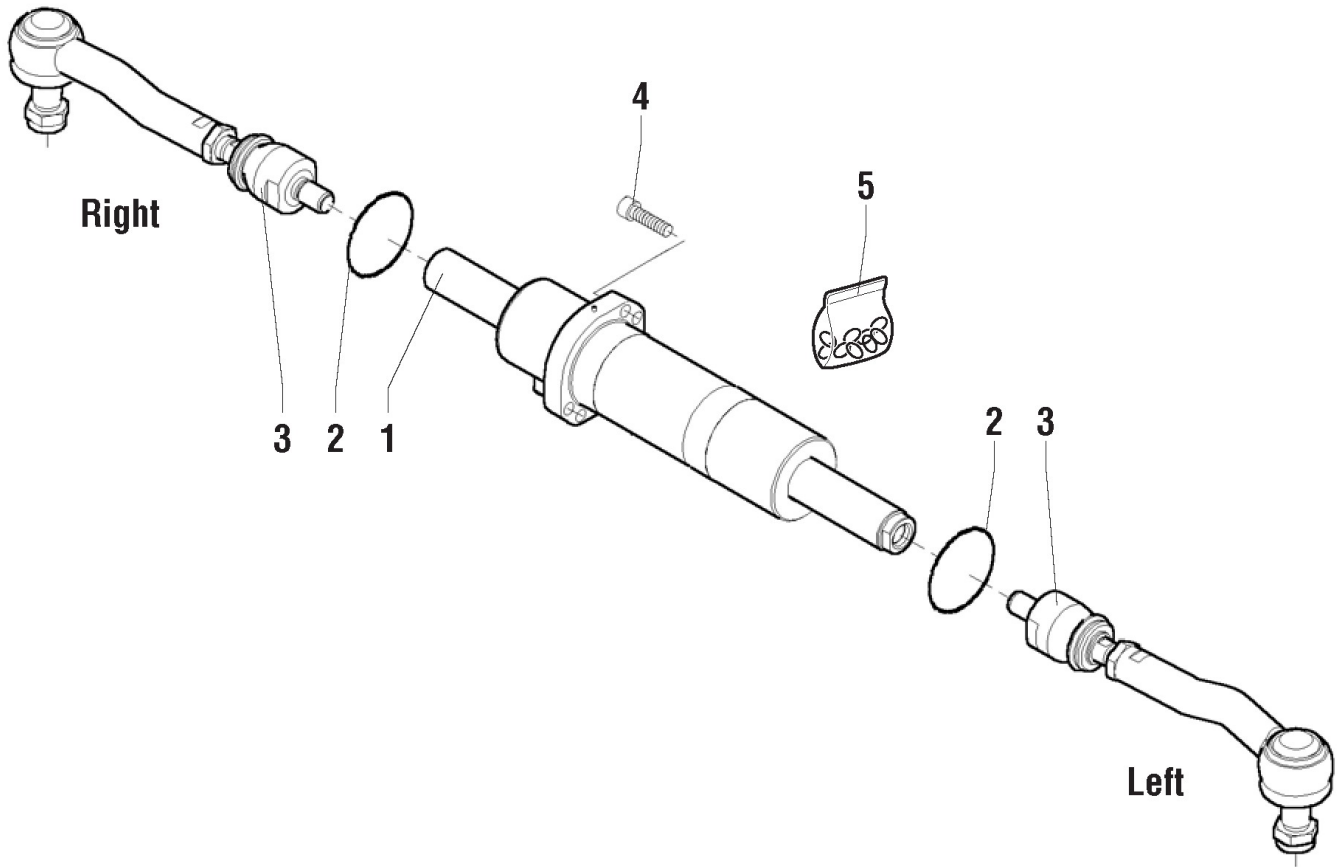
308.1 604742 Front Axle - Brake





Item	Part No.	Description	Qty.
1	07.0709.0324	BRAKE DISC.....	6
2	07.0709.0325	Brake Disc Internal.....	6
3	07.0709.0326	BUSHING.....	1
4	07.0709.0327	BALL.....	1
5	07.0709.0328	Spacer.....	1
6	629733	SHIM 0.10MM.....	2
6	629735	SHIM 0.30MM.....	2
6	639327	SHIM 0.40MM.....	2
6	639329	SHIM 0.20MM.....	2
7	07.0709.0329	BRAKE DISC.....	1
8	07.0709.0330	Split Pin.....	2
9	07.0709.0711	Piston.....	1
10	07.0709.0332	SEAL.....	1
11	632070	SCREW.....	1
12	630328	BLEEDER VALVE, LONG .....	2
13	638548	PLUG.....	2
14	07.0709.0333	Back-up Ring.....	1
15	07.0709.0334	SEAL.....	1
16	07.0709.0335	Back-up Ring.....	1
17	07.0709.0336	Snap Ring.....	2
18	07.0709.0337	Spring.....	1
19	07.0709.0338	Back-Up Ring.....	2
20	07.0709.0339	SEAL.....	4
21	07.0709.0254	DOWEL .....	1
22	07.0709.0340	Piston.....	1
23	07.0709.0341	O-RING.....	3
24	07.0709.0342	Pin.....	3
25	07.0709.0343	O-Ring.....	1
26	07.0709.0344	O-Ring.....	1
27	07.0709.0345	Piston.....	1
28	07.0709.0346	Spring.....	2
29	07.0709.0347	Ring Nut.....	1
30	07.0709.0712	Screw.....	2
31	07.0709.0034	SEAL.....	2
32	07.0709.0349	Spacer.....	2
33	07.0709.0350	Threaded Grubscrew.....	1
34	07.0709.0351	WASHER.....	2
35	07.0709.0352	SCREW.....	2

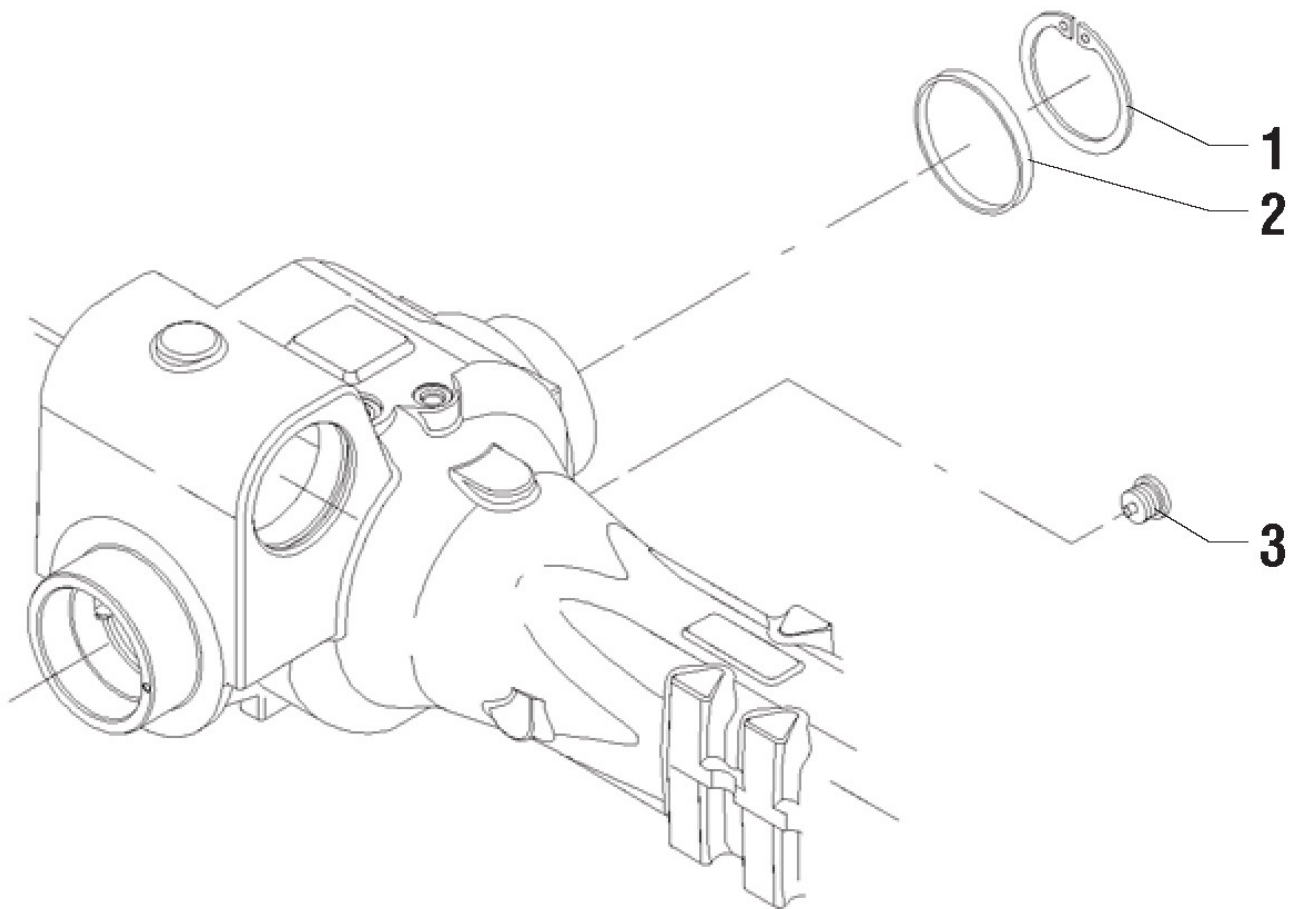
309.1 604743 Front Axle - Steering Cylinder



309.1 604743 Front Axle - Steering Cylinder

Item	Part No.	Description	Qty.
1	07.0709.0285	Cylinder.....	1
2	634397	O-RING.....	2
3	07.0709.0286	ARTICULATED TIE ROD.....	2
4	07.0709.0134	SCREW, 12.9 SHCS 12-1.75X45.....	4
5	07.0709.0417	Gasket Kit.....	1

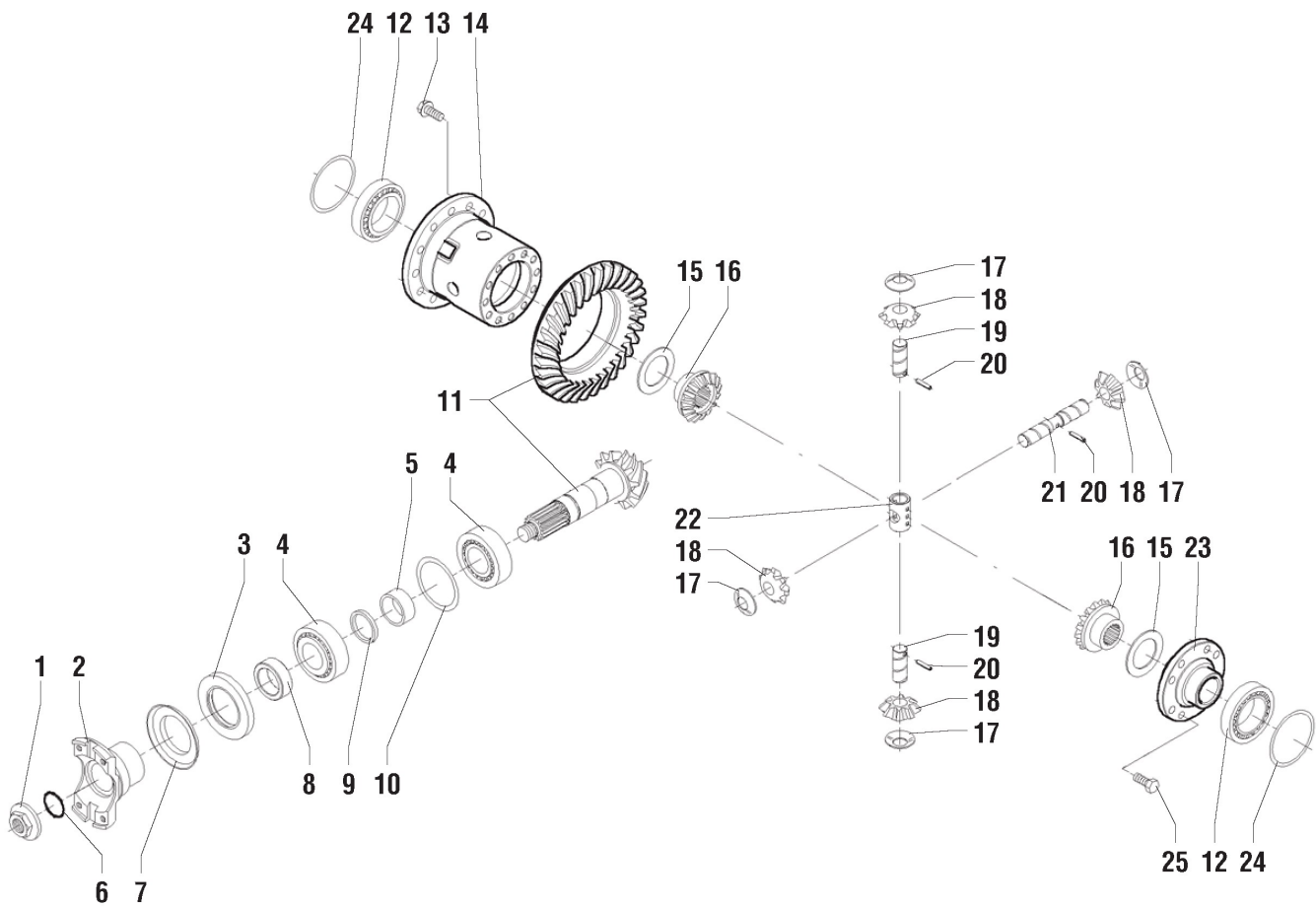
310.1 604744 Rear Axle - Differential Case



310.1 604744 Rear Axle - Differential Case

Item	Part No.	Description	Qty.
1	633204	SNAP RING (CIRCLIP).....	1
2	07.0709.0084	PLUG.....	1
3	07.0709.0232	Plug.....	1

311.1 604745 Rear Axle - Differential Gear

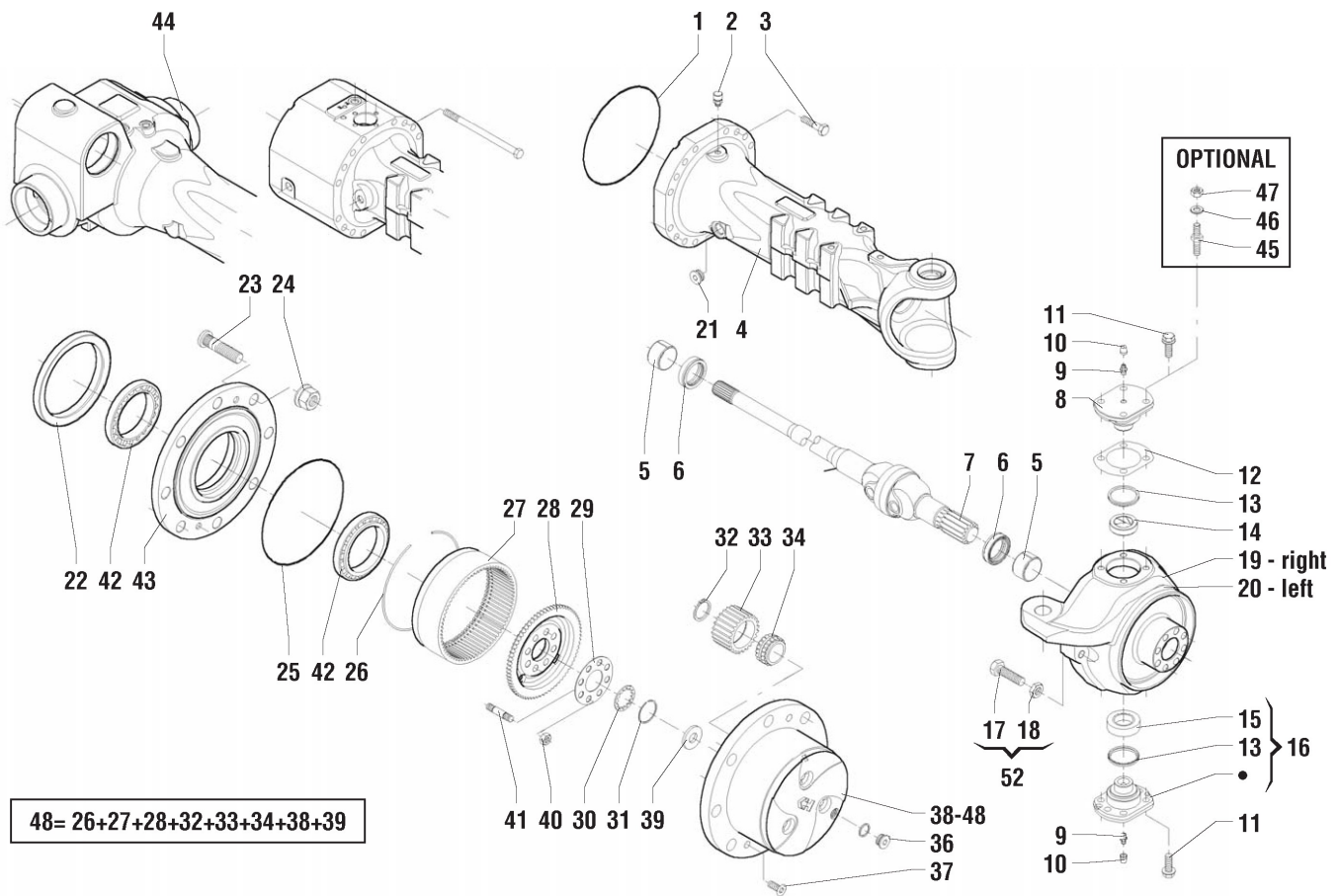


311.1 604745 Rear Axle - Differential Gear

Item	Part No.	Description	Qty.	Item	Part No.	Description	Qty.
1	633160	Nut.....	1	24	07.0709.0258	THICKNESS.....	2
2	07.0709.0388	Flange.....	1	24	07.0709.0259	THICKNESS.....	2
3	633098	SEAL,DIFFERENTIAL .....	1	24	07.0709.0260	THICKNESS.....	2
4	07.0709.0174	Bearing.....	2	25	630694	Screw.....	8
5	07.0709.0234	Spacer.....	1				
6	633110	O-RING.....	1				
7	07.0709.0235	Safety Sheet .....	1				
8	07.0709.0168	Spacer.....	1				
9	07.0709.0236	Ring.....	1				
9	07.0709.0237	Ring.....	1				
9	07.0709.0238	Ring.....	1				
9	07.0709.0239	Ring.....	1				
9	07.0709.0240	Ring.....	1				
9	07.0709.0241	Ring.....	1				
9	07.0709.0242	Ring.....	1				
9	07.0709.0243	Ring.....	1				
9	07.0709.0244	Ring.....	1				
9	07.0709.0245	Ring.....	1				
9	07.0709.0246	Ring.....	1				
9	07.0709.0247	Ring.....	1				
9	07.0709.0248	Ring.....	1				
9	07.0709.0249	RING.....	1				
9	07.0709.0250	Ring.....	1				
10	634391	SHIM,THICKNESS.....	1				
10	634392	SHIM,THICKNESS.....	1				
10	634393	SHIM,THICKNESS.....	1				
11	07.0709.0251	Bevel Gear Set.....	1				
12	633529	BEARING .....	2				
13	07.0709.0057	SCREW,RING GEAR.....	12				
14	07.0709.0252	DIFFERENTIAL CASE.....	1				
15	633531	WASHER .....	2				
16	633944	Differential Side Gear.....	2				
17	633533	WASHER .....	4				
18	633534	Differential Pinion.....	4				
19	07.0709.0253	Pin.....	2				
20	07.0709.0254	DOWEL .....	3				
21	07.0709.0255	Pin.....	1				
22	07.0709.0706	CROSS JOINT.....	1				
23	636413	Cover.....	1				
24	07.0709.0257	THICKNESS.....	2				



312.1 604746 Rear Axle - Steering Axle

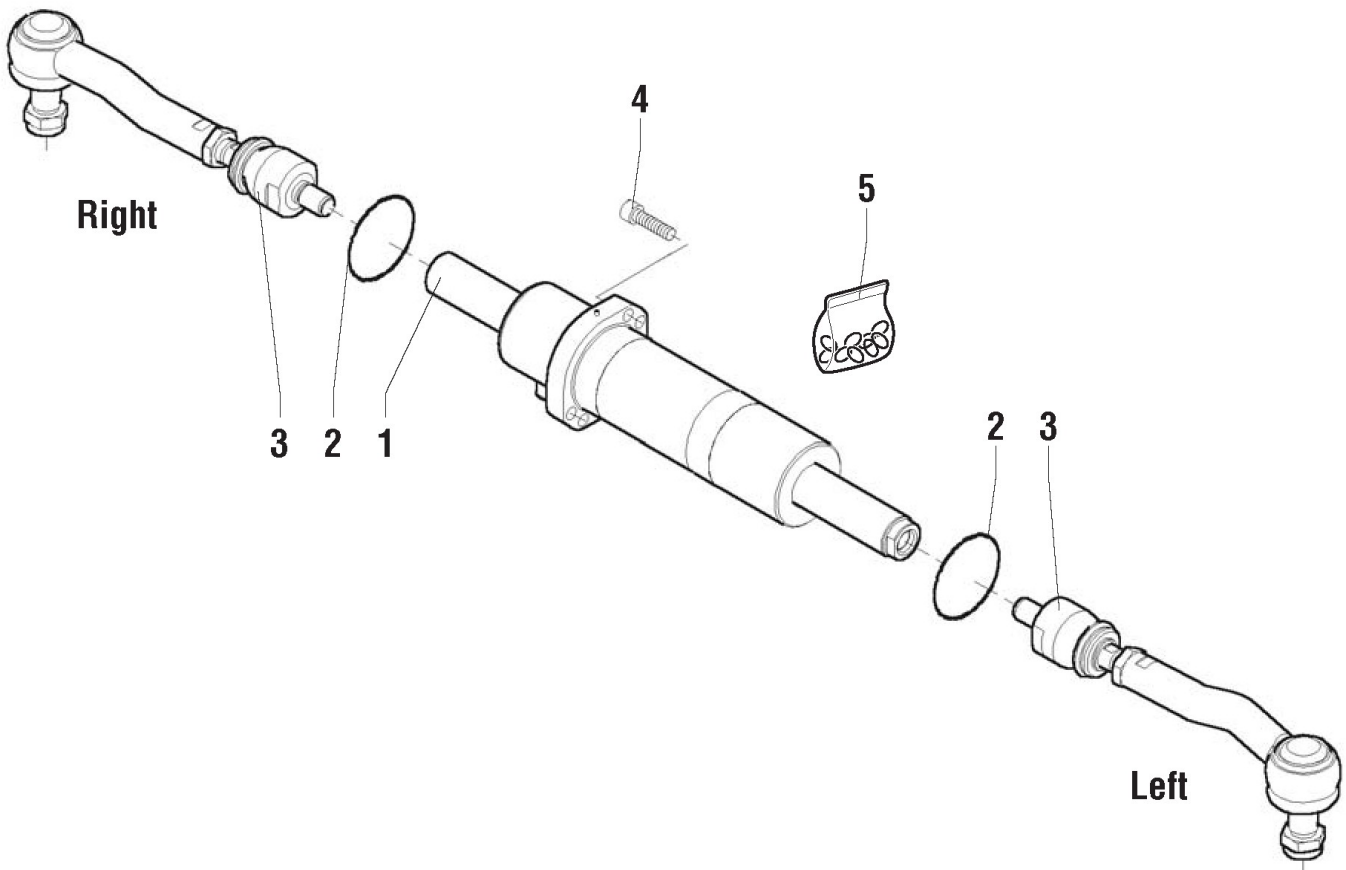




312.1 604746 Rear Axle - Steering Axle

Item	Part No.	Description	Qty.	Item	Part No.	Description	Qty.
1	07.0709.0261	SEAL .....	1	40	07.0709.0280	Nut.....	16
2	639670	PLUG,BREATHER.....	1	41	07.0709.0281	Stud.....	16
3	07.0709.0262	Screw, 10.9HCS 12MM-1.75X50....	16	42	07.0709.0171	Bearing.....	4
4	07.0709.0707	Boom.....	1	43	07.0709.0282	Wheel Hub.....	2
5	07.0709.0264	Bushing.....	4	44	07.0709.0708	Arm.....	1
6	07.0709.0265	Sealing Ring.....	4	45	07.0709.0119	STUD,DRIVE AXLE.....	8
7	07.0709.0266	Cardan Shaft.....	2	46	07.0709.0071	WASHER .....	8
8	07.0709.0267	Pivot Pin.....	2	47	07.0709.0070	NUT.....	8
9	633176	GREASE ZERK .....	4	48	07.0709.0284	Support.....	2
10	638548	PLUG.....	4	52	07.0709.0365	SCREW,STEERING ADJUST.....	4
11	07.0709.0057	SCREW,RING GEAR.....	12				
12	07.0709.0268	THICKNESS.....	2				
12	07.0709.0290	THICKNESS.....	2				
12	07.0709.0291	THICKNESS.....	2				
13	07.0709.0269	SEAL .....	2				
14	07.0709.0124	BUSHING.....	2				
15	07.0709.0270	Joint Box.....	2				
16	07.0709.0271	Pivot Pin.....	2				
17	634546	NUT.....	4				
18	07.0709.0104	SCREW.....	4				
19	07.0709.0272	HOUSING.....	1				
20	07.0709.0273	HOUSING.....	1				
21	07.0709.0274	PLUG.....	1				
22	07.0709.0363	SEAL.....	2				
23	07.0709.0117	WHEEL STUD.....	16				
24	07.0709.0118	Wheel Nut .....	16				
25	632383	SEAL / DIFFERENTIAL .....	2				
26	639646	Snap Ring.....	2				
27	639639	RING GEAR .....	2				
28	07.0709.0275	Ring Gear Support.....	2				
29	07.0709.0276	Safety Sheet.....	2				
30	07.0709.0277	Ring.....	2				
31	07.0709.0278	Circlip.....	2				
32	639641	SNAP RING.....	6				
33	639642	PINION,DIFFERENTIAL.....	6				
34	07.0709.0136	Bearing.....	6				
36	07.0709.0113	PLUG.....	2				
37	07.0709.0065	SCREW.....	4				
38	07.0709.0066	Support.....	2				
39	07.0709.0279	Shim Washer.....	2				

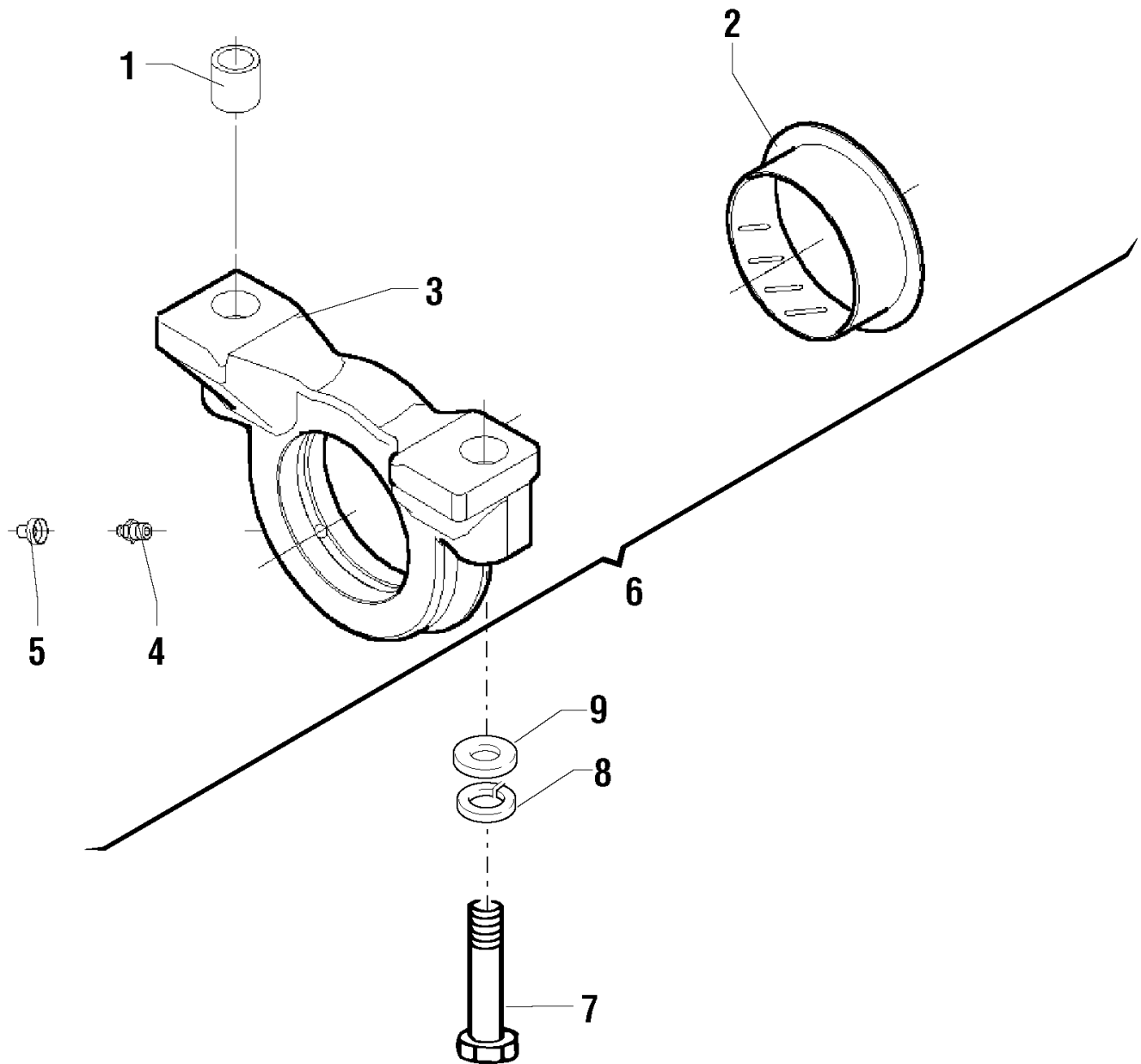
313.1 604747 Rear Axle - Steering Cylinder



313.1 604747 Rear Axle - Steering Cylinder

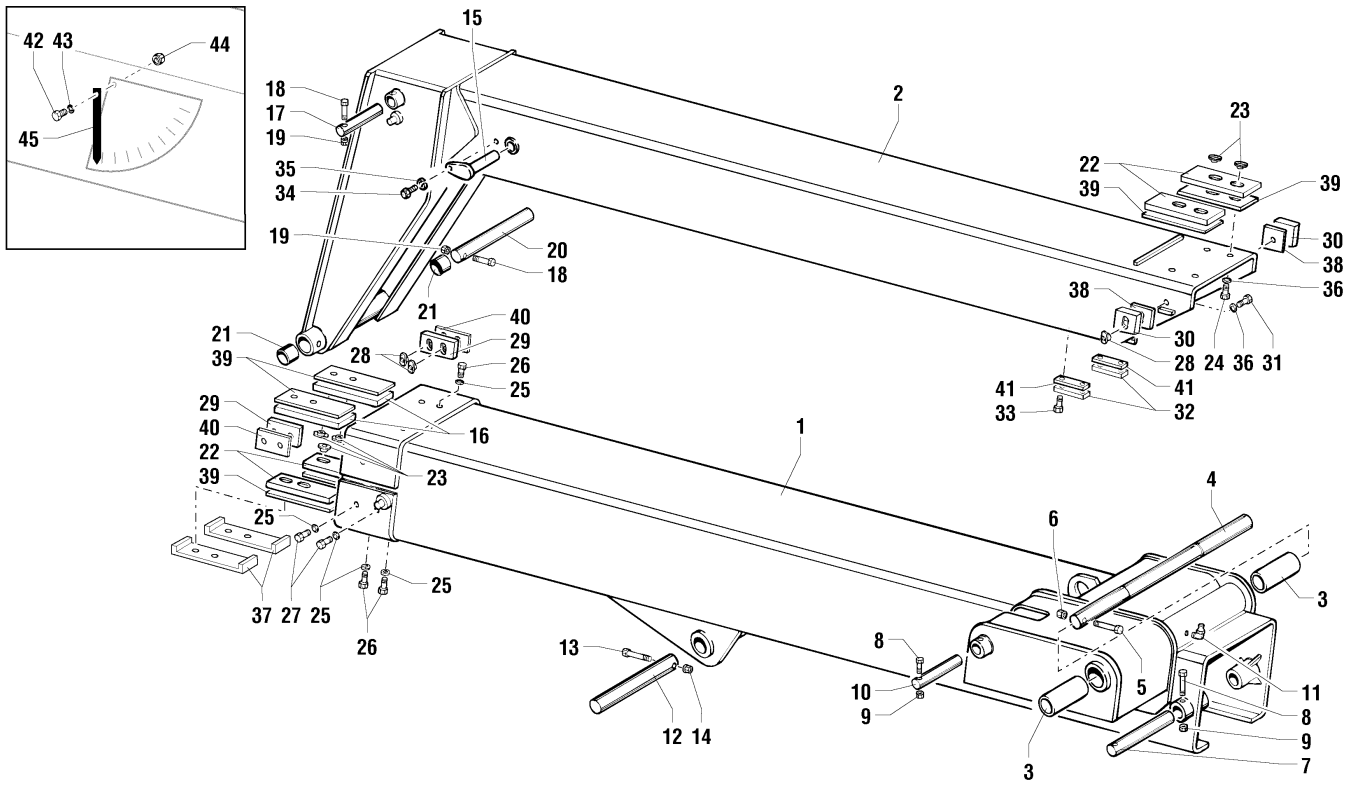
Item	Part No.	Description	Qty.
1	07.0709.0285	Cylinder.....	1
2	634397	O-RING.....	2
3	07.0709.0286	ARTICULATED TIE ROD.....	2
4	07.0709.0134	SCREW, 12.9 SHCS 12-1.75X45.....	4
5	07.0709.0417	Gasket Kit.....	1

314.1 604748 Rear Axle - Support



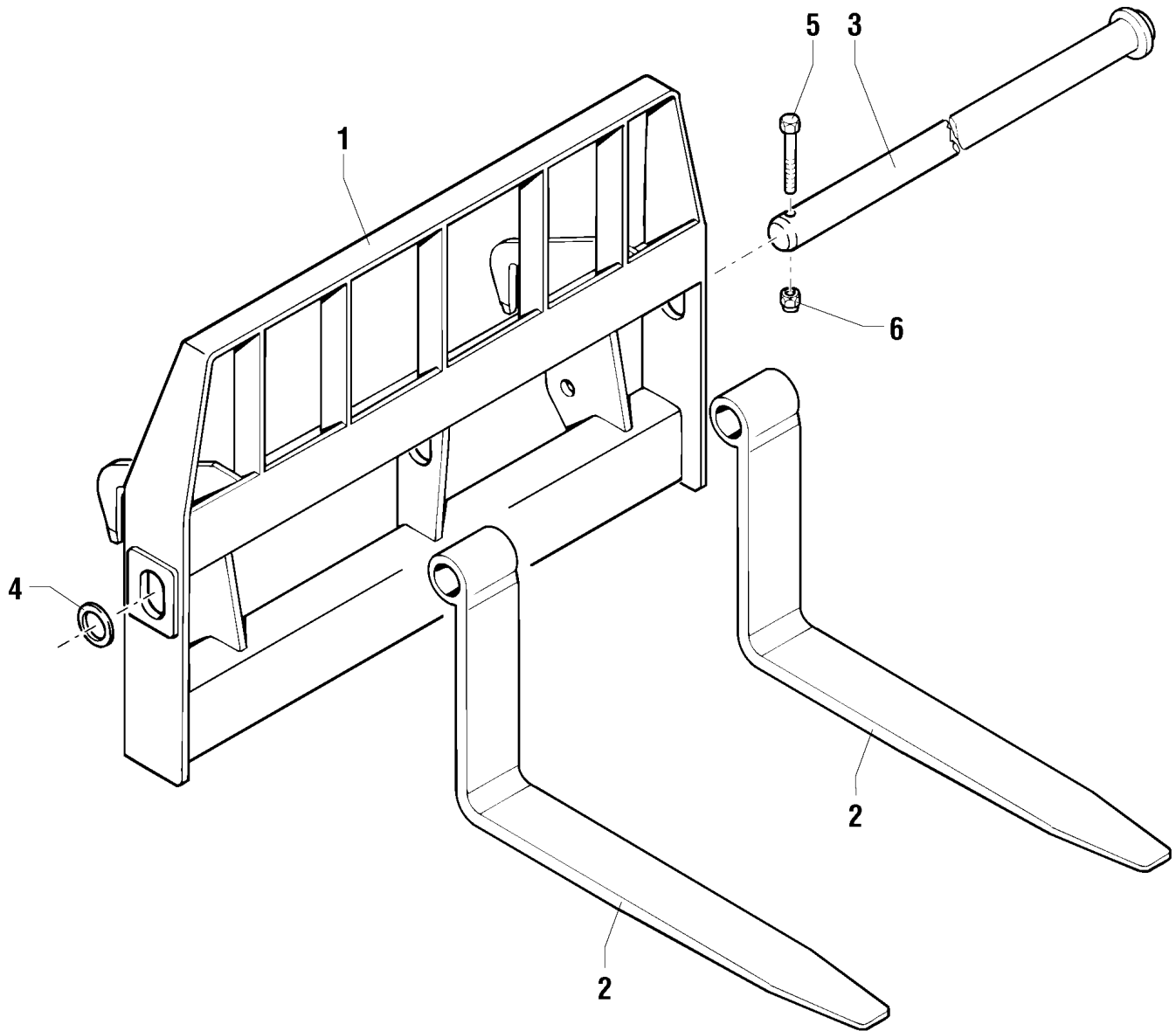
Item	Part No.	Description	Qty.
1	07.0709.0218	BUSHING.....	4
2	07.0709.0287	Bushing.....	2
3	07.0709.0288	SUPPORT.....	2
4	633176	GREASE ZERK .....	2
5	638548	PLUG.....	2
6	07.0709.0289	SUPPORT .....	2
7	01.4001.0009	Screw TE M20X130UNI 5737 10.9ZN.....	4
8	01.4032.0009	Spring Washer D20 ZN .....	4
9	01.0031.0061	FLAT WASHER D20 UNI 6592 ZN.....	4

401.1 604715 Arm



Item	Part No.	Description	Qty.	Item	Part No.	Description	Qty.
1	51.0200.9800	Basic Arm.....	1	38	51.0809.3900	THICKNESS/SHIM 3 STYLES ALL OK.....	2
2	51.0200.9900	Arm.....	1	39	51.0804.9000	SHIM/BOOM WEAR PAD.....	6
3	54.0201.0007	Bushing 50/60X100.....	2	40	51.0809.4000	WEAR PAD SHIM.....	2
4	54.0003.0003	Pin.....	1	41	51.0806.3800	Thickness.....	2
5	01.4001.0012	SCREW M14X100UNI 5737 8.8 ZN.....	1	42	01.0003.0944	Screw Tcei M 8X30 UNI 5931 8.8Zn.....	1
6	01.0023.0057	STOP NUT M14 UNI 7473 6S ZN....	1	43	01.0031.0055	FLAT WASHER D8 UNI 6592 ZN ....	1
7	54.0000.0017	PIN.....	1	44	01.0019.0104	NUT M8 UNI 5588 6S ZN.....	1
8	01.0001.0209	SCREW M8X70 UNI 5737 8.8 ZN....	2	45	51.0804.8400	NEEDLE FOR INCLINEOMETER....	1
9	01.0023.0054	NUT,M8 UNI 7473 6S ZN.....	2				
10	54.0002.0014	Pin.....	1				
11	02.0117.0101	GREASE NIPPLE G 1/8.....	1				
12	54.0000.0025	PIN.....	1				
13	01.4001.0003	SCREW M12X100 UNI 5737 8.8 ZN.....	1				
14	01.0023.0056	STOP NUT M12 UNI 7473 6S ZN....	1				
15	54.0003.0016	PIN.....	1				
16	54.0702.0013	WEAR PAD,200X60X15.....	2				
17	54.0000.0192	PIN.....	1				
18	01.0001.0310	SCREW, 8.8 HCS 10MM-1.5X80Z...2					
19	01.0023.0055	NUT,STOP,M10 UNI 7473 6S ZN....	2				
20	54.0000.0020	Pin.....	1				
21	54.0201.0009	Bushing.....	2				
22	54.0702.0000	WEAR PAD,200X60X20.....	4				
23	54.0200.0001	BUSHING M10X13.5.....	12				
24	01.0006.0049	SCREW M10X30 UNI 5933 10.9 ZN.....	4				
25	01.0032.0055	Spring Washer D10 UNI 1751 ZN.....	16				
26	01.0001.0357	SCREW,TE,M10X35 UNI 8.8 ZN....	8				
27	01.0001.0356	SCREW,TE,M10X30 UNI 8.8 ZN....	8				
28	54.0200.0000	BUSHING M10X8.5 .....	6				
29	54.0702.0001	WEAR PAD,100X60X12.....	2				
30	54.0702.0002	WEAR PAD,60X60X12.....	2				
31	01.0001.0088	Screw.....	2				
32	54.0702.0005	WEAR PAD,100X25X15.....	2				
33	01.0003.0203	SCREW M8X20 UNI 8.8 ZN.....	2				
34	01.0001.0254	SCREW M8X20 UNI 5739 8.8 ZN....	1				
35	01.4032.0003	SPRING WASHER D 8 ZN .....	1				
36	09.0803.0062	WASHER D10.....	6				
37	07.0726.0043	SLIDING BLOCK HOLDER.....	2				

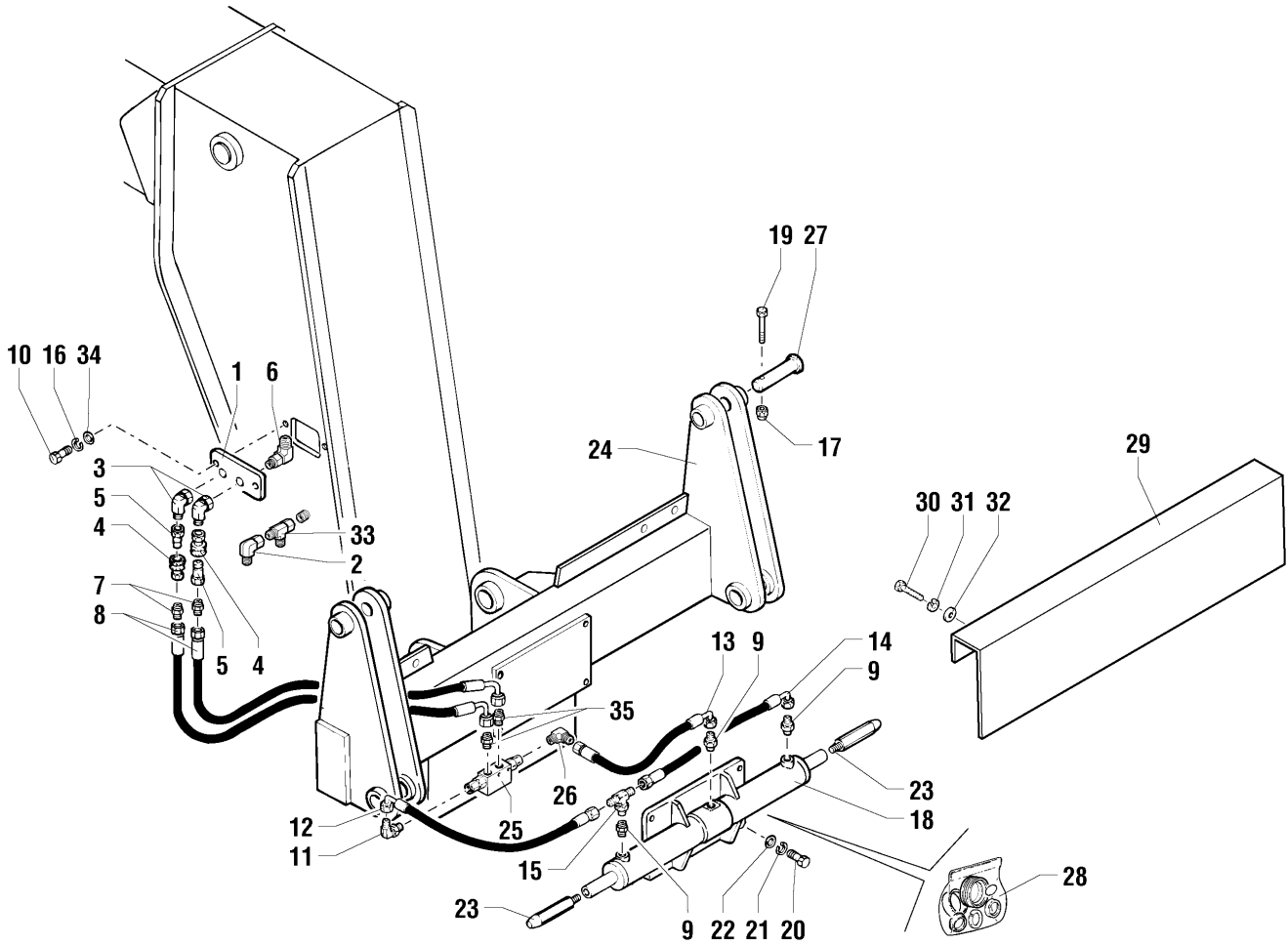
402.1 604716 Forks





Item	Part No.	Description	Qty.
1	51.1301.4300	FLOATING FORK CARRIAGE.....	1
2	51.1300.5400	FORK (4" WIDE X 48" LONG).....	2
3	54.0000.0068	PIN, FORK.....	1
4	54.0100.0027	WASHER .....	2
5	01.0001.0409	SCREW M12X80 UNI 5737 8.8 ZN.....	1
6	01.0023.0056	STOP NUT M12 UNI 7473 6S ZN....	1

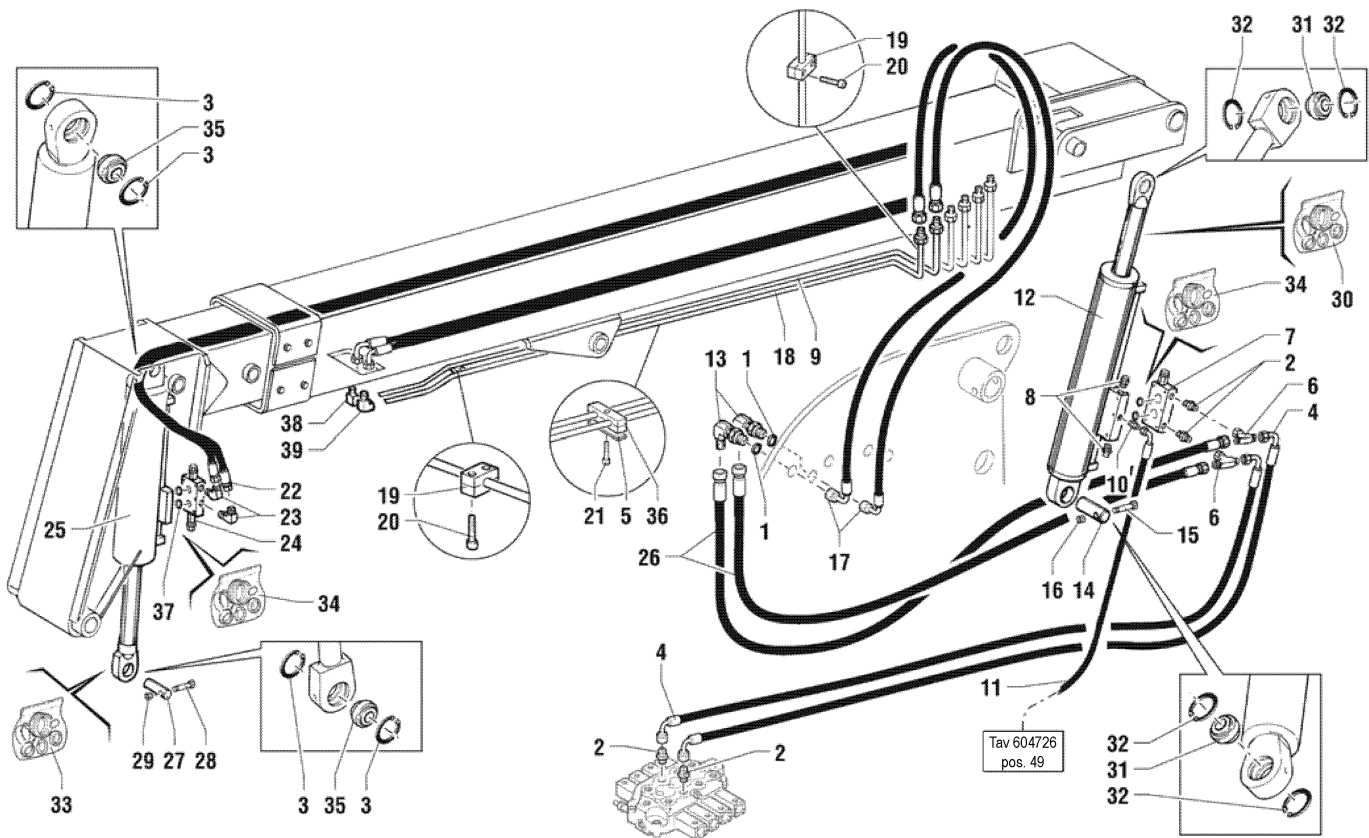
403.1 604728 Hydraulic System - Implement Locking



403.1 604728 Hydraulic System - Implement Locking

Item	Part No.	Description	Qty.	Item	Part No.	Description	Qty.
1	53.3001.0500	MANIFOLD, BOOM HOSES.....	1	33	04.0600.0081	PIPE FITTING TMF+L 1/2 BSP.....	1
2	04.0600.0019	Pipe Fitting MFK 90 1/2 BSP.....	1	34	01.0031.0054	FLAT WASHER D6 UNI 6592 ZN ....	2
3	04.0600.0087	PIPE FITTING 90.....	2	35	04.0607.0163	PIPE FITTING 1/4BSPX11/16-16 ORFS.....	2
4	04.4210.0019	QUICK COUPLING, FEMALE 1/2....	2				
5	04.4210.0018	QUICK COUPLING, MALE 1/2.....	2				
6	04.0607.0141	PIPE FITTING 90 1/2GASXM 13/16-16 ORFS.....	2				
7	04.0607.0110	PIPE FITTING 1/2BSP x 11/16-16 ORFS.....	2				
8	04.0605.0174	Hose R2 X 3/8 LG.600 FD F90 11/16-16 ORFS.....	2				
9	04.0607.0114	PIPE FITTING 3/8 BSPX9/16-18 ORFS.....	3				
10	01.0001.0156	SCREW M6X20 UNI 5739 8.8 ZN ...	2				
11	04.0607.0112	PIPE FITTING M-M A 90 1/4 BSPX9/16-18 ORFS.....	1				
12	04.0605.0114	FLEXIBLE HOSE.....	1				
13	04.0605.0113	HOSE R2X1/4 LG 405 FD-F90 9/16-18 ORFS.....	1				
14	04.0605.0112	FLEXIBLE HOSE 7.75 INCH .....	1				
15	04.0607.0131	PIPE FITTING TMF+C 9/16-18 ORFS.....	1				
16	01.4032.0002	SPRING WASHER D6 ZN.....	2				
17	01.0023.0053	STOP NUT M6 UNI 7473 6S ZN ....	1				
18	53.0500.0400	Cylinder.....	1				
19	01.0001.0104	SCREW M6X40 UNI 5739 8.8 ZN ...	1				
20	01.0001.0355	SCREW,TE,M10X25 UNI 8.8 ZN....	4				
21	01.0032.0055	Spring Washer D10 UNI 1751 ZN....	4				
22	01.0031.0301	FLAT WASHER D10 UNI 6593 ZN .....	4				
23	54.0001.0001	Pin.....	2				
24	51.0400.3000	Fork Coupling Attachment.....	1				
25	04.4239.0002	VALVE.....	1				
26	04.0607.0132	PIPE FITTING 45 M-M 1/4 BSPX9/16-18 ORFS.....	1				
27	54.0001.0022	PIN.....	1				
28	639395	SEAL KIT (53.0500.0602).....	1				
29	51.0903.1500	CYL PROTECTOR (SHIELD, GUARD).....	1				
30	01.0001.0254	SCREW M8X20 UNI 5739 8.8 ZN....	3				
31	01.4032.0003	SPRING WASHER D 8 ZN .....	3				
32	01.0031.0299	FLAT WASHER D8 UNI 6593.....	3				

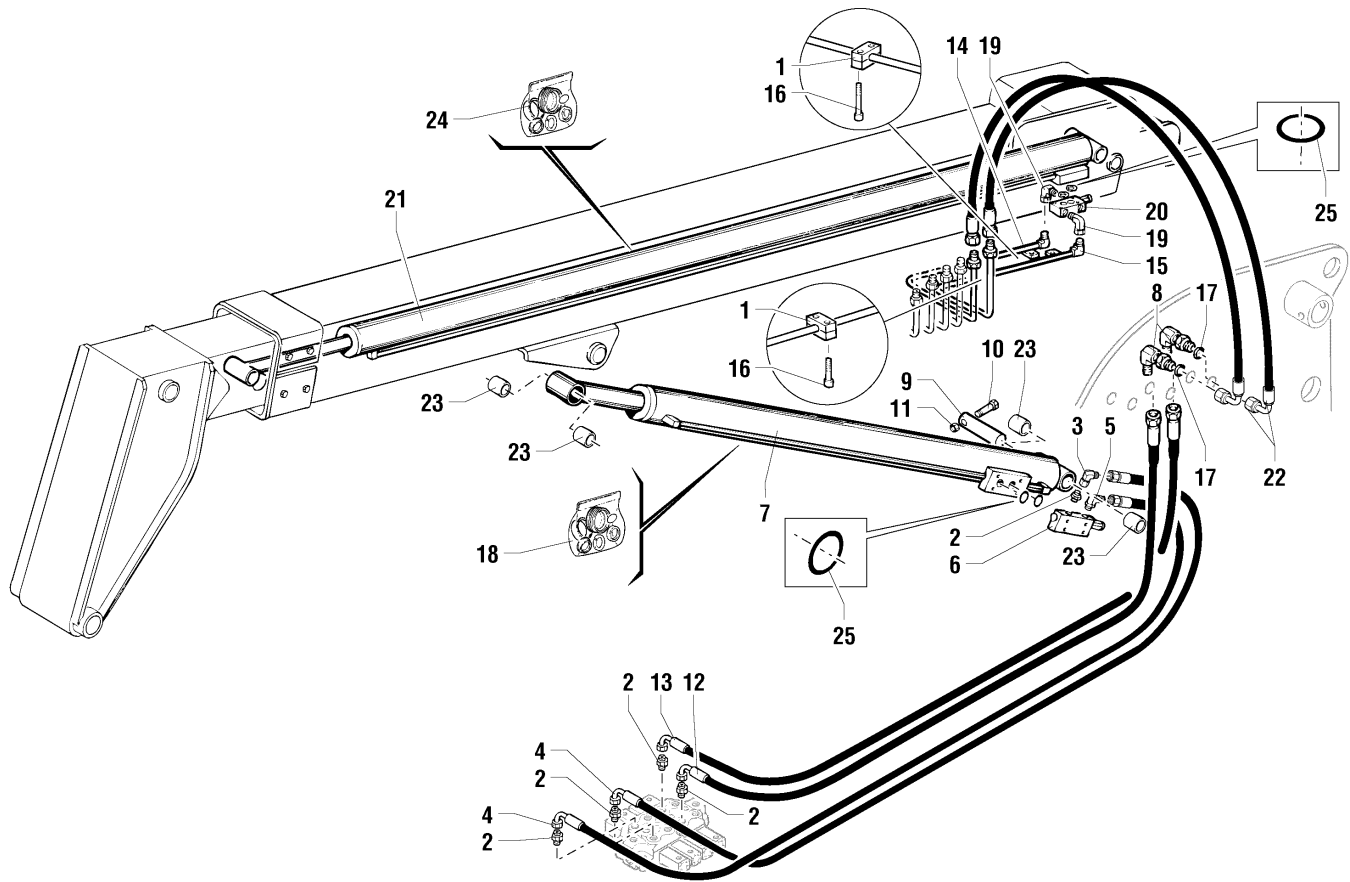
404.1 604729 Hydraulic System - Fork Balancing



404.1 604729 Hydraulic System - Fork Balancing

Item	Part No.	Description	Qty.	Item	Part No.	Description	Qty.
1	01.0031.0061	FLAT WASHER D20 UNI 6592 ZN.....	1	35	03.0000.0006	Ball Joint.....	2
2	04.0607.0111	PIPE FITTING 1/2 BSPX13/16-16 ORFS .....	4	36	09.0803.0060	CLAMP,DOUBLE,D16.....	1
3	632959	SNAP RING.....	4	37	07.4501.0105	ORING.....	2
4	04.0605.0187	Flexible Hose.....	2	38	04.0607.0150	Pipe Fitting 90° Long.....	2
5	09.0803.0061	LOCKING BRACKET,DOUBLE CLAMP.....	1	39	04.0607.0152	Pipe Fitting 90° Short.....	2
6	04.0607.0126	PIPE FITTING TMF+C 13/16-16 ORFS.....	2				
7	04.4239.0051	SAFETY VALVE.....	1				
8	04.4239.0004	SAFETY VALVE.....	2				
9	53.3401.2500	Pipe.....	1				
10	04.0607.0114	PIPE FITTING 3/8 BSPX9/16-18 ORFS.....	1				
11		604726 pos. 49					
12	53.0300.1100	Cylinder.....	1				
13	04.0607.0124	PIPE FITTING 90 M-M 13/16-16 ORFS.....	2				
14	54.0002.0013	Pin.....	1				
15	01.0001.0211	SCREW M8X80 UNI 5737 8.8 ZN....	1				
16	01.0023.0054	NUT,M8 UNI 7473 6S ZN.....	1				
17	04.0605.0194	Pipe R2 X 1/2 L=1100 F90-FD 13/16-16 ORFS.....	6				
18	53.3401.2600	Pipe.....	1				
19	09.0803.0043	SINGLE HOSE BRACKET D16.....	4				
20	01.0003.0157	SCREW M6X25 UNI 5931 8.8 ZN....	8				
21	01.0001.0257	SCREW M8X30 UNI 5739 8.8 ZN....	1				
22	04.0605.0171	Flexible Hose.....	1				
23	04.0607.0141	PIPE FITTING 90 1/2GASXM 13/16-16 ORFS.....	2				
24	04.4239.0052	Safety Valve .....	1				
25	53.0400.0100	Cylinder.....	1				
26	04.0605.0097	Flexible Hose.....	2				
27	54.0000.0021	Pin.....	1				
28	01.0001.0310	SCREW, 8.8 HCS 10MM-1.5X80Z...1					
29	01.0023.0055	NUT,STOP,M10 UNI 7473 6S ZN....	1				
30	639992	GASKET/JOINT KIT.....	1				
31	07.0721.0019	BALL JOINT .....	2				
32	07.0721.0117	SNAP RING.....	4				
33	635965	SEAL KIT,CYLINDER.....	1				
34	07.0705.0085	SEAL KIT.....	4				

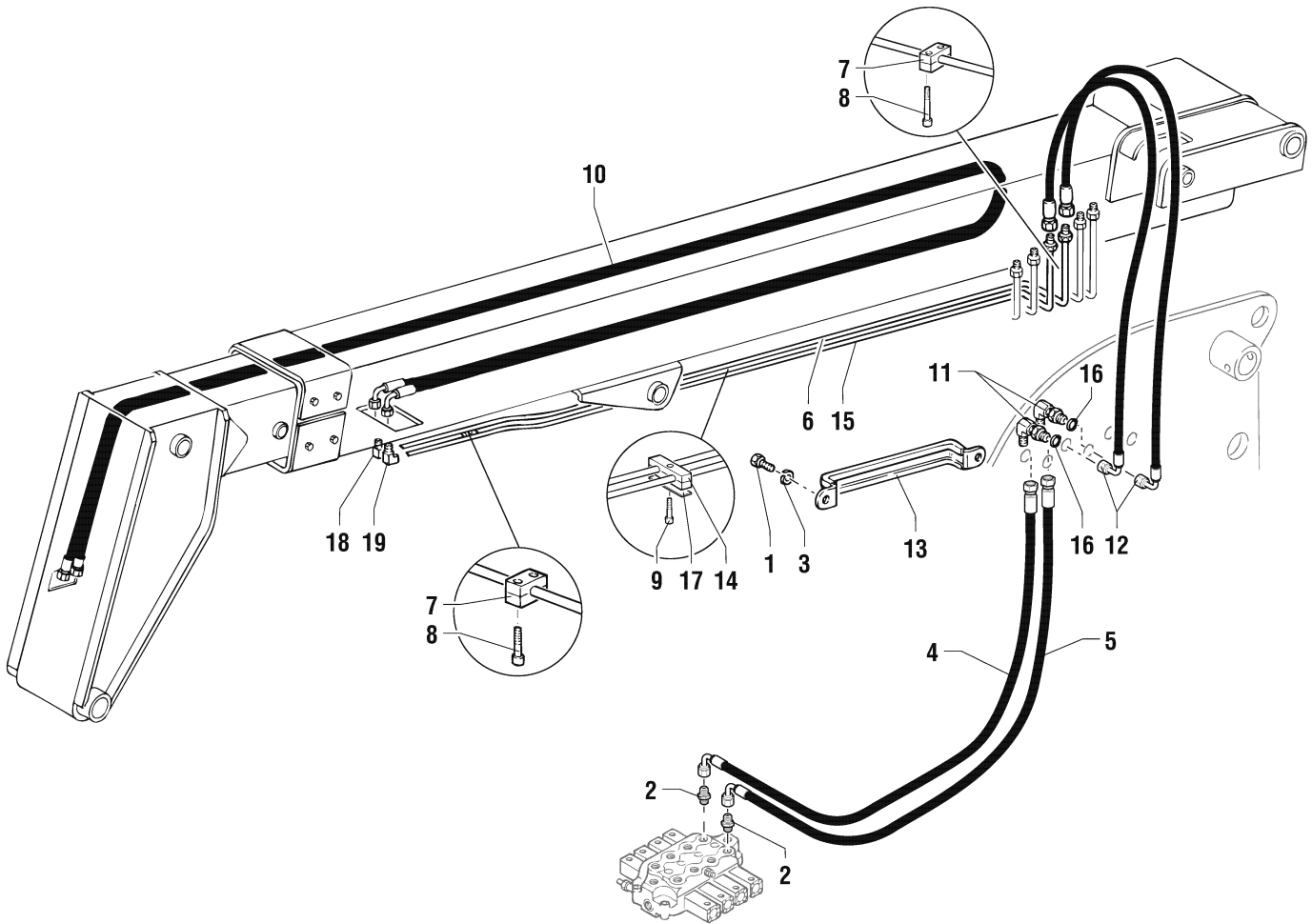
405.1 604730 Hydraulic System - Lifting And Boom Extension



405.1 604730 Hydraulic System - Lifting And Boom Extension

Item	Part No.	Description	Qty.
1	09.0803.0043	SINGLE HOSE BRACKET D16.....	4
2	04.0607.0111	PIPE FITTING 1/2 BSPX13/16-16 ORFS .....	5
3	04.0607.0109	PIPE FITTING,90 M-F 13/16-16 .....	1
4	04.0605.0189	Flexible Hose R2 X 1/2 LG.2050 FD F90 13/16-16 ORFS.....	2
5	04.0607.0138	Pipe Fitting.....	1
6	04.4239.0005	SAFETY VALVE.....	1
7	53.0000.0100	Lifting Jack.....	1
8	04.0607.0124	PIPE FITTING 90 M-M 13/16-16 ORFS.....	2
9	54.0000.0022	PIN.....	1
10	01.4001.0003	SCREW M12X100 UNI 5737 8.8 ZN.....	1
11	01.0023.0056	STOP NUT M12 UNI 7473 6S ZN....	1
12	04.0605.0184	FLEXIBLE HOSE.....	1
13	04.0605.0186	Flexible Hose R2 X 1/2 LG.1950 FD F90 13/16-16 ORFS.....	1
14	53.3401.2200	Pipe.....	1
15	53.3401.2100	Pipe.....	1
16	01.0003.0157	SCREW M6X25 UNI 5931 8.8 ZN....	8
17	01.0031.0061	FLAT WASHER D20 UNI 6592 ZN.....	2
18	640096	SEAL KIT, LIFT CYLINDER.....	1
19	04.0600.0087	PIPE FITTING 90.....	2
20	04.4239.0005	SAFETY VALVE.....	1
21	53.0100.0100	Extension Cylinder.....	1
22	04.0605.0194	Pipe R2 X 1/2 L=1100 F90-FD 13/16-16 ORFS.....	2
23	09.0801.0006	Bushing.....	4
24	639993	CYLINDER GASKET KIT.....	1
25	07.4529.0072	O-RING.....	4

406.1 604731 Hydraulic System - Auxiliary Circuits

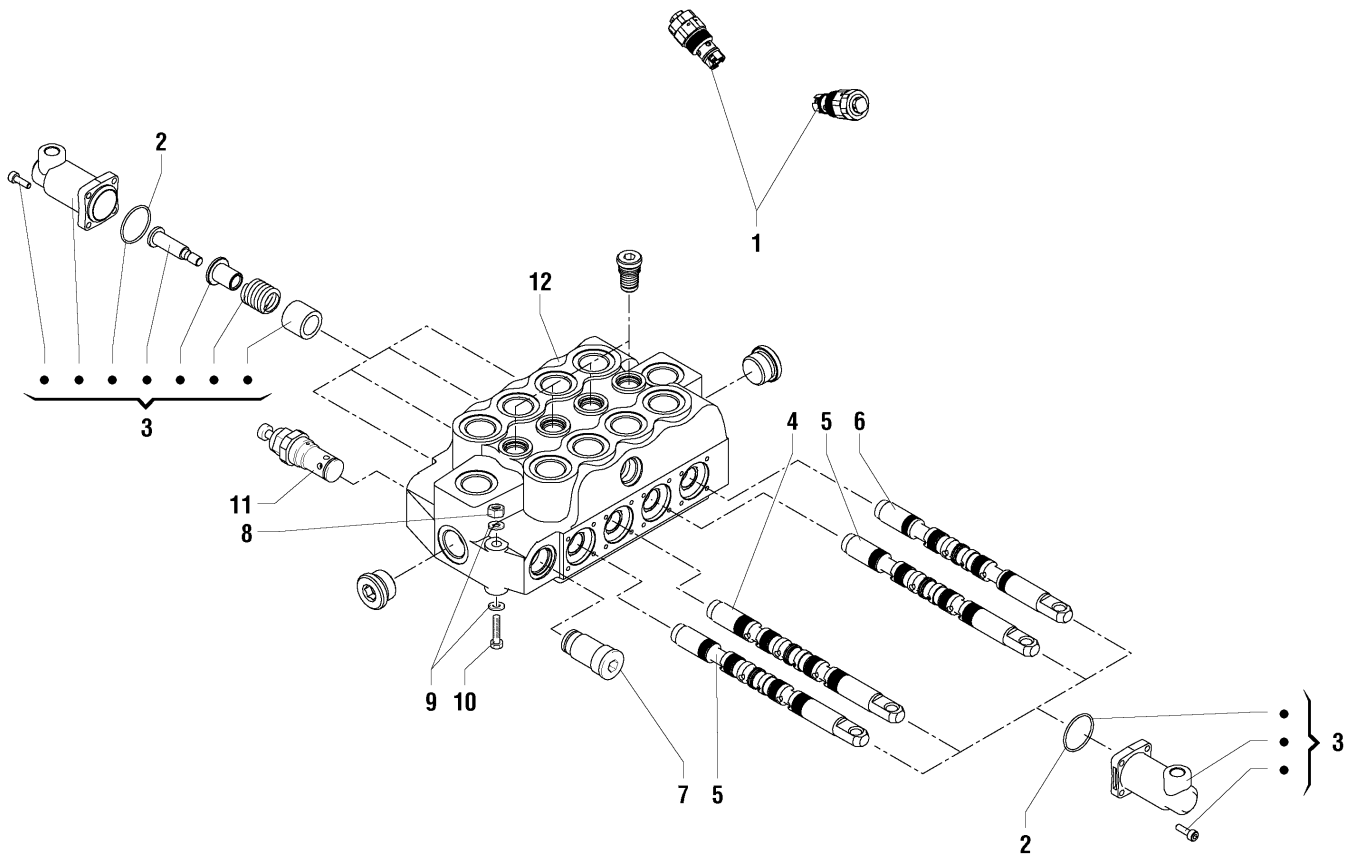




406.1 604731 Hydraulic System - Auxiliary Circuits

Item	Part No.	Description	Qty.
1	01.0001.0256	SCREW M8X25 UNI 5739 8.8 ZN....2	
2	04.0607.0111	PIPE FITTING 1/2 BSPX13/16-16 ORFS .....2	
3	01.0031.0055	FLAT WASHER D8 UNI 6592 ZN ....2	
4	04.0605.0184	FLEXIBLE HOSE.....1	
5	04.0605.0184	FLEXIBLE HOSE.....1	
6	53.3401.2300	Pipe.....1	
7	09.0803.0043	SINGLE HOSE BRACKET D16.....4	
8	01.0003.0157	SCREW M6X25 UNI 5931 8.8 ZN...8	
9	01.0001.0257	SCREW M8X30 UNI 5739 8.8 ZN...1	
10	04.0605.0239	Flexible Hose.....1	
11	04.0607.0124	PIPE FITTING 90 M-M 13/16-16 ORFS.....2	
12	04.0605.0194	Pipe R2 X 1/2 L=1100 F90-FD 13/16-16 ORFS.....2	
13	04.4227.0016	CLAMP D60 HOLE 10.5.....1	
14	09.0803.0060	CLAMP,DOUBLE,D16.....1	
15	53.3401.2400	Pipe.....1	
16	01.0031.0061	FLAT WASHER D20 UNI 6592 ZN.....2	
17	09.0803.0523	DOUBLE HOSE LOCKING PLATE D18.....1	
18	04.0607.0150	Pipe Fitting 90° Long.....1	
19	04.0607.0152	Pipe Fitting 90° Short.....1	

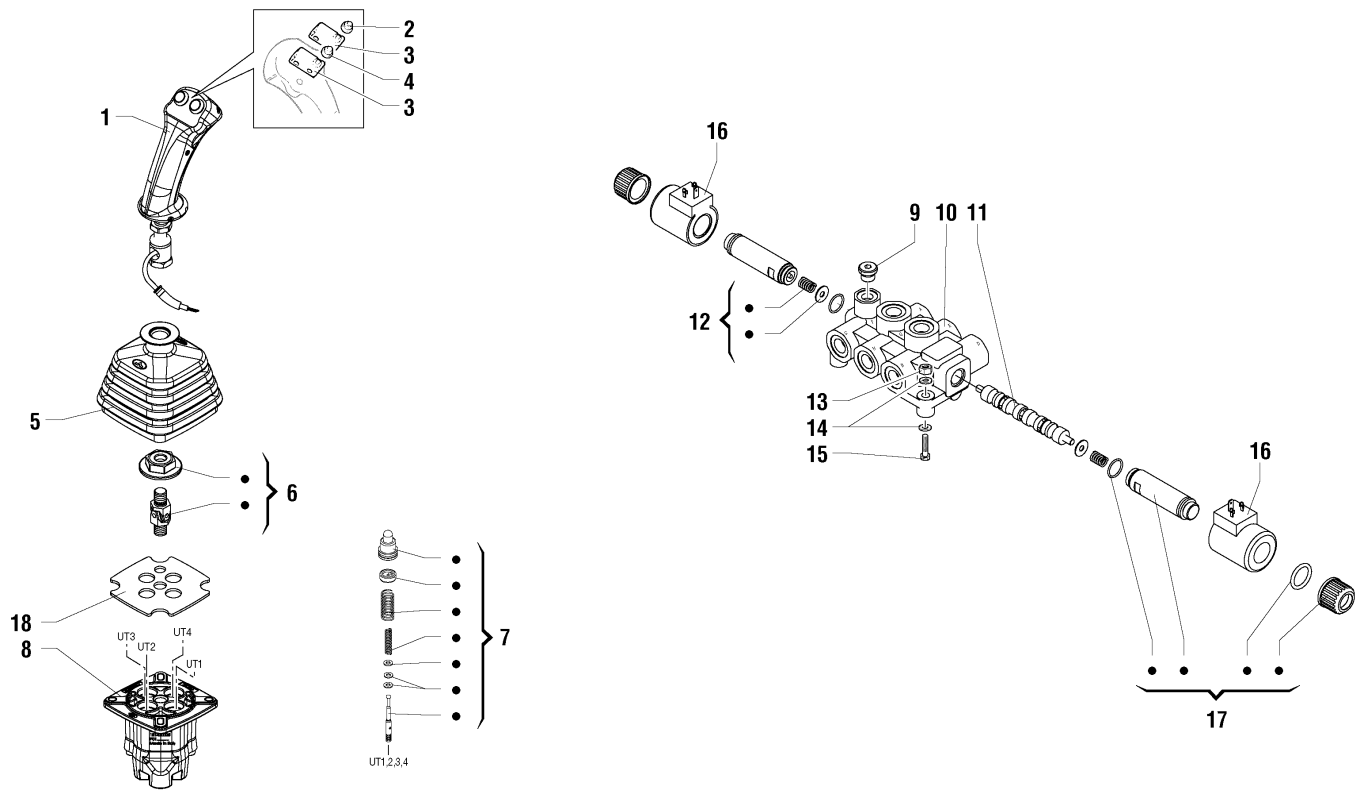
407.1 604734 Hydraulic System - Parts



407.1 604734 Hydraulic System - Parts

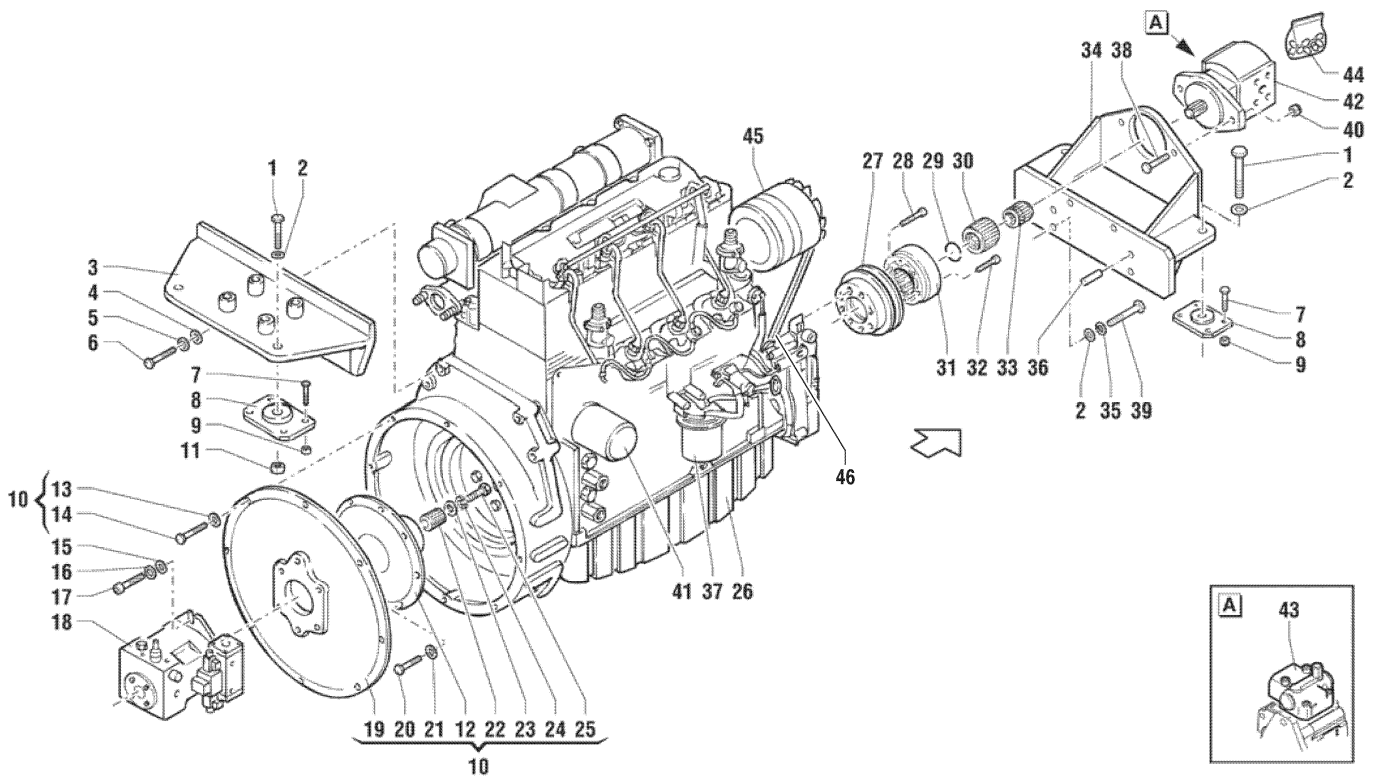
Item	Part No.	Description	Qty.
1	07.0704.0038	VALVE, CARTRIDGE.....	2
2	07.0704.0078	O-RING.....	8
3	07.0704.0113	Cap Kit.....	4
4	07.0704.0033	Cursor.....	1
5	07.0704.0034	Cursor.....	2
6	07.0704.0035	VALVE CURSOR.....	1
7	07.0704.0045	Plug TCEI BSP 3/4.....	1
8	01.0023.0054	NUT,M8 UNI 7473 6S ZN.....	3
9	01.0031.0055	FLAT WASHER D8 UNI 6592 ZN ....	6
10	01.0001.0209	SCREW M8X70 UNI 5737 8.8 ZN....	3
11	07.0704.0042	VALVE.....	1
12	07.0704.0032	Main Valve Body.....	1

408.1 604735 Hydraulic System - Parts



Item	Part No.	Description	Qty.
1	07.0704.0133	CONTROL LEVER.....	1
2	07.0704.0118	RED PUSH BUTTON CAP.....	1
3	07.0704.0117	PUSH BUTTON.....	2
4	07.0704.0119	YELLOW PUSH BUTTON CAP.....	1
5	07.0704.0134	Rubber Protection.....	1
6	07.0704.0136	ARTICULATION.....	1
7	07.0704.0138	Complete Selector.....	4
8	07.0704.0137	BODY.....	1
9	07.0704.0037	Plug TCEI BSP 1/4.....	1
10	07.0704.0046	Control Valve.....	1
11	07.0704.0135	Cursor.....	1
12	07.0704.0040	Spring Kit.....	2
13	01.0023.0054	NUT,M8 UNI 7473 6S ZN.....	2
14	01.0031.0055	FLAT WASHER D8 UNI 6592 ZN ....	4
15	01.0001.0206	SCREW M8X55 UNI 5737 8.8 ZN....	2
16	07.0704.0120	Solenoid.....	2
17	07.0704.0049	Kit Solenoid Valve.....	2
18	07.0704.0169	Flange.....	1

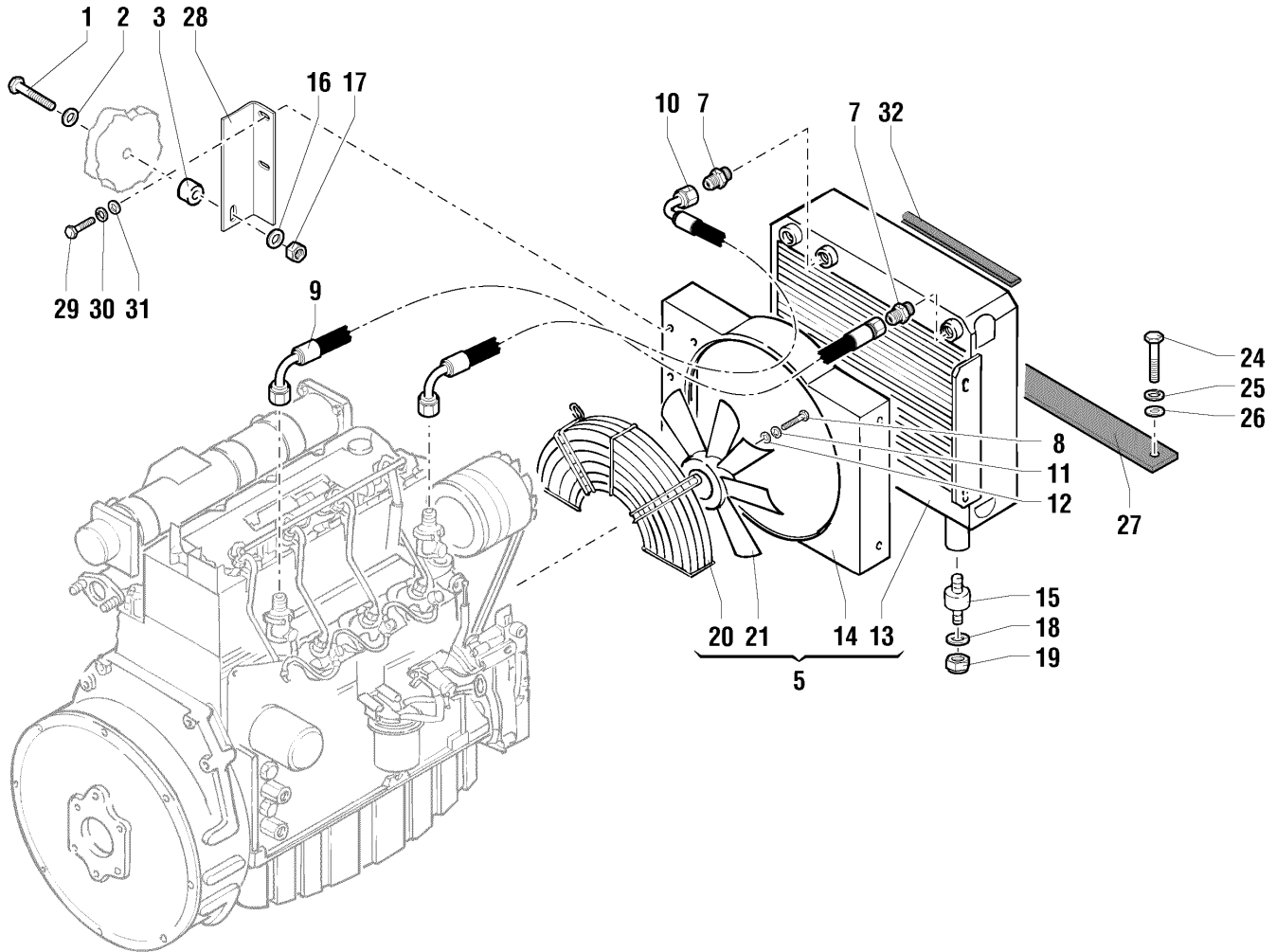
501.1 604718 Diesel Engine - Hydraulic Pump



501.1 604718 Diesel Engine - Hydraulic Pump

Item	Part No.	Description	Qty.	Item	Part No.	Description	Qty.
--	29557	CAP,OIL FILLER,DEUTZ,DIESEL***	1	34	51.0807.9800	Support	1
1	01.4001.0012	SCREW M14X100UNI 5737 8.8 ZN	4	35	01.4032.0006	SPRING WASHER D14 ZN	4
2	01.0031.0058	FLAT WASHER D14 UNI 6592 ZN	6	36	02.4102.0003	Split Pin	2
3	51.0806.1300	Support	1	37	29560	FILTER,FUEL/WTR SEP, DTZ 1008	1
4	01.0031.0301	FLAT WASHER D10 UNI 6593 ZN	2	38	01.0001.0402	SCREW,8.8 HCS 12MM1.75X45Z	2
5	01.4032.0004	SPRING WASHER D10 ZN	2	39	01.0001.0606	SCREW, 8.8 HCS 14MM2.0X40 Z	4
6	01.0001.0358	SCREW,TE,M10X40 UNI 8.8 ZN	2	40	01.0023.0056	STOP NUT M12 UNI 7473 6S ZN	2
7	01.0001.0356	SCREW,TE,M10X30 UNI 8.8 ZN	16	41	07.4501.0067	FILTER,OIL <i>For US Market Can Be Sold P.N. 49924</i>	1
8	09.4670.0004	VIBRATION DAMPING	4	42	04.4238.0036	Pump	1
9	01.0023.0055	NUT,STOP,M10 UNI 7473 6S ZN	16	43	07.0722.0053	VALVE,LOAD SENSE	1
10	09.0804.0100	JOINT ENGINE/PUMP	1	44	07.4529.0112	SEAL KIT	1
11	01.0023.0057	STOP NUT M14 UNI 7473 6S ZN	4	45	75393	ALTERNATOR, DEUTZ (55AMP) ***	1
12	641124	Elastic Joint	1	46	07.4501.0239	Belt	1
13	01.0032.0057	Spring Washer D14 UNI 1751 ZN	8				
14	01.0001.0356	SCREW,TE,M10X30 UNI 8.8 ZN	8				
15	01.0031.0099	FLAT WASHER D16 UNI 5714 ZN	1				
16	01.4032.0007	SPRING WASHER D16 ZN	1				
17	01.0003.0405	SCREW,TCEI,M16X50,UNI5931,8.8Z	1				
18	04.4238.0033	Pump	1				
19	07.0713.0051	HOUSING	1				
20	01.0001.0356	SCREW,TE,M10X30 UNI 8.8 ZN	8				
21	01.0032.0055	Spring Washer D10 UNI 1751 ZN	8				
22	634981	Pump Hub	1				
23	999058	WASHER	1				
24	01.0032.0057	Spring Washer D14 UNI 1751 ZN	1				
25	01.0001.0357	SCREW,TE,M10X35 UNI 8.8 ZN	1				
26	09.4601.0028	Diesel Engine	1				
27	54.0100.0066	Pulley	1				
28	01.0003.0262	SCREW M10X60 UNI 5931 8.8 ZN	8				
29	09.0804.1000	Snap Ring	1				
30	09.0804.1200	HALF-COUPLING	1				
31	09.0804.0900	Elastic Joint	1				
32	01.0003.0208	SCREW TCEI M8X40 UNI 5931 8.8 ZN	6				
33	09.0804.1100	HALF-COUPLING	1				

502.1 604719 Diesel Engine - Engine Cooling System

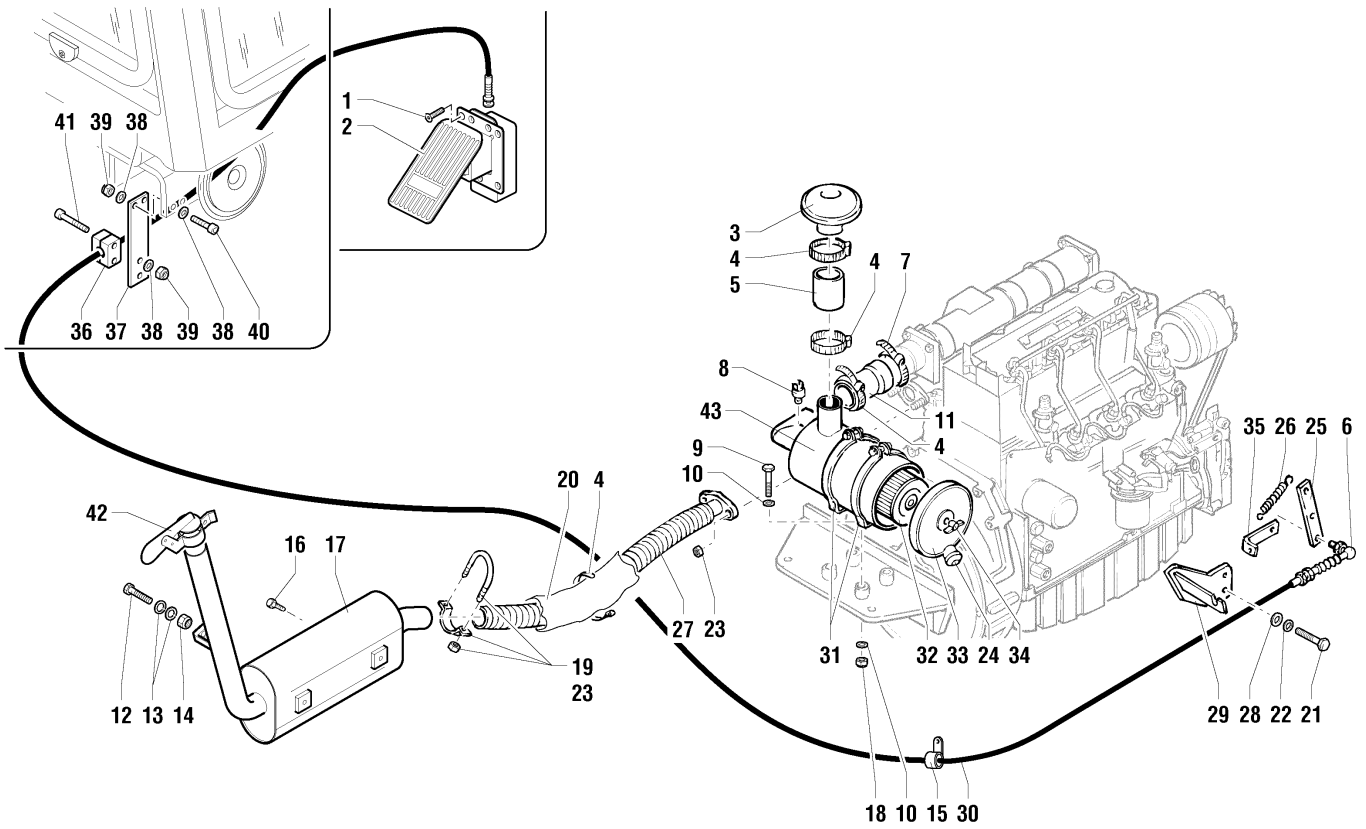




502.1 604719 Diesel Engine - Engine Cooling System

Item	Part No.	Description	Qty.
1	01.0001.0209	SCREW M8X70 UNI 5737 8.8 ZN....1	
2	01.4031.0004	FLAT WASHER D8X32 UNI 6593 ZN.....1	
3	09.4670.0001	ISOLATOR,VIBRATION.....1	
5	53.3200.0022	Complete Radiator.....1	
7	04.0607.0130	PIPE FITTING 1 BSPX1-3/16-12 ORFS.....2	
8	01.0001.0254	SCREW M8X20 UNI 5739 8.8 ZN....1	
9	04.0605.0216	Flexible Hose.....1	
10	04.0605.0215	Flexible Hose.....1	
11	01.4032.0003	SPRING WASHER D 8 ZN .....1	
12	01.0031.0055	FLAT WASHER D8 UNI 6592 ZN ....1	
13	07.0712.0046	OIL COOLER.....1	
14	07.0712.0047	AIR CONVEYOR (RADIATOR SHROUD).....1	
15	09.4670.0002	VIBRATION DAMPING.....1	
16	01.0031.0055	FLAT WASHER D8 UNI 6592 ZN ....1	
17	01.0023.0054	NUT,M8 UNI 7473 6S ZN.....1	
18	01.0031.0301	FLAT WASHER D10 UNI 6593 ZN .....1	
19	01.0023.0055	NUT,STOP,M10 UNI 7473 6S ZN....1	
20	07.0712.0006	Guard.....1	
21	07.0712.0048	Fan.....1	
24	01.0001.0154	SCREW,TE,M6X16 UNI 8.8 ZN.....1	
25	01.4032.0002	SPRING WASHER D6 ZN.....1	
26	01.0031.0298	FLAT WASHER D6 UNI 6593 ZN ....1	
27	53.3302.0017	FOAM PAD INSULATOR.....1	
28	51.0806.8900	Bracket.....1	
29	01.0001.0158	SCREW M6X25 UNI 5739 8.8 ZN ...2	
30	01.4032.0002	SPRING WASHER D6 ZN.....2	
31	01.0031.0298	FLAT WASHER D6 UNI 6593 ZN ....2	
32	09.0803.0245	GASKET.....1,4-m	

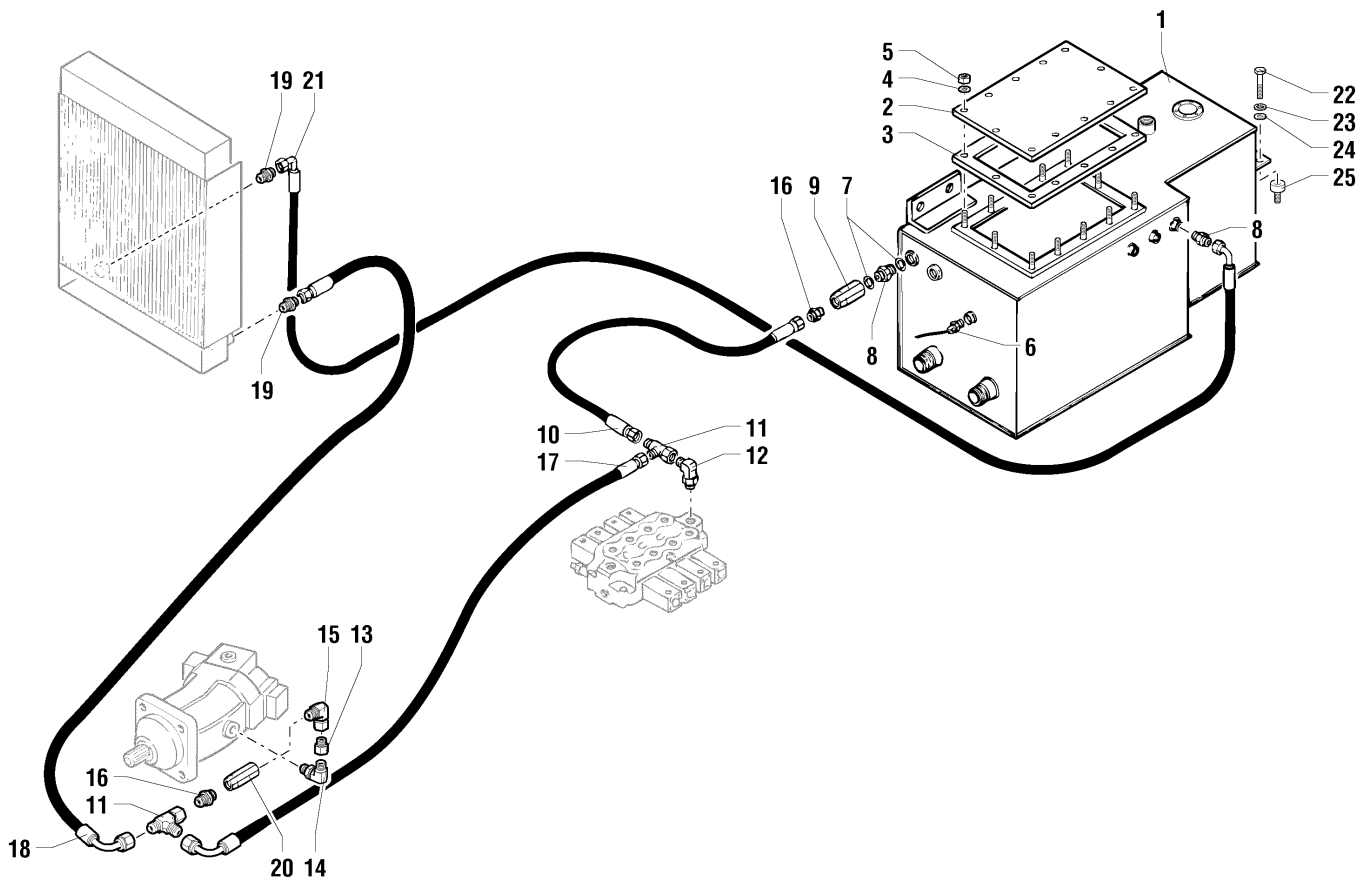
503.1 604720 Diesel Engine - Suction - Exhaust - Accelerator



503.1 604720 Diesel Engine - Suction - Exhaust - Accelerator

Item	Part No.	Description	Qty.	Item	Part No.	Description	Qty.
1	01.4006.0001	SCREW M6X16 UNI 10.9 ZN.....	4	32	07.4501.0063	CARTRIDGE/OUTER AIR CLEANER**.....	1
2	09.4656.0007	PEDAL..... <i>Up To Serial Number 13102</i>	1	33	07.4501.0064	Cover.....	1
2	09.4656.0009	PEDAL..... <i>From Serial Number 13103</i>	1	34	07.4501.0066	Screw.....	1
3	07.4501.0060	PRECLEANER.....	1	35	51.0806.2800	SPRING COUPLING.....	1
4	04.0227.0067	Clamp DN 50/70 LG12.....	7	36	09.0803.0064	SINGLE HOSE BRACKET D12.....	1
5	09.0805.0054	Rubber Hose.....	1	37	51.0809.1800	BRACKET.....	1
6	09.0803.0008	JOINT D6.....	1	38	01.0031.0054	FLAT WASHER D6 UNI 6592 ZN ....	6
7	04.4227.0000	CLAMP DN 60/80 LG12.....	1	39	01.0023.0053	STOP NUT M6 UNI 7473 6S ZN ....	4
8	07.4501.0061	Proximity Switch.....	1	40	01.0003.0157	SCREW M6X25 UNI 5931 8.8 ZN....	2
9	01.0001.0206	SCREW M8X55 UNI 5737 8.8 ZN....	4	41	01.0003.0159	SCREW,TCEI,M6X35 UNI 8.8 ZN....	2
10	01.4032.0003	SPRING WASHER D 8 ZN .....	6	42	09.0803.0027	Muffler Cap.....	1
11	09.0805.0053	Rubber Hose.....	1	43	09.4604.0032	Filter.....	1
12	01.0001.0357	SCREW,TE,M10X35 UNI 8.8 ZN....	1				
13	01.0031.0056	WASHER,D10 UNI 6592 ZN.....	2				
14	01.0023.0055	NUT,STOP,M10 UNI 7473 6S ZN....	1				
15	04.4227.0007	CLAMP S16 D32 HOLE 8.4.....	1				
16	01.0001.0356	SCREW,TE,M10X30 UNI 8.8 ZN....	2				
17	53.3100.0020	EXHAUST MUFFLER..... <i>Up To Serial Number 15421</i>	1				
17	53.3100.0033	MUFFLER..... <i>From Serial Number 15422</i>	1				
18	01.0023.0054	NUT,M8 UNI 7473 6S ZN.....	4				
19	09.0803.0109	Collar.....	1				
20	09.0803.0259	Screening.....	1				
21	01.0001.0506	SCREW M12X30 UNI 5739 8.8 ZN.....	2				
22	01.4032.0005	SPRING WASHER D12 ZN .....	2				
23	01.4032.0003	SPRING WASHER D 8 ZN .....	1				
24	07.4501.0065	Air Inlet.....	1				
25	51.0806.2700	Bracket.....	1				
26	09.0803.0251	Spring.....	1				
27	53.3001.0400	Manifold.....	1				
28	01.0031.0057	WASHER,D12 UNI 6592 ZN .....	2				
29	51.0806.2400	Support.....	1				
30	09.4645.0024	ACCELERATOR CABLE..... <i>Up To Serial Number 13102</i>	1				
30	09.4645.0028	CABLE..... <i>From Serial Number 13103</i>	1				
31	07.4501.0062	Clamp.....	2				

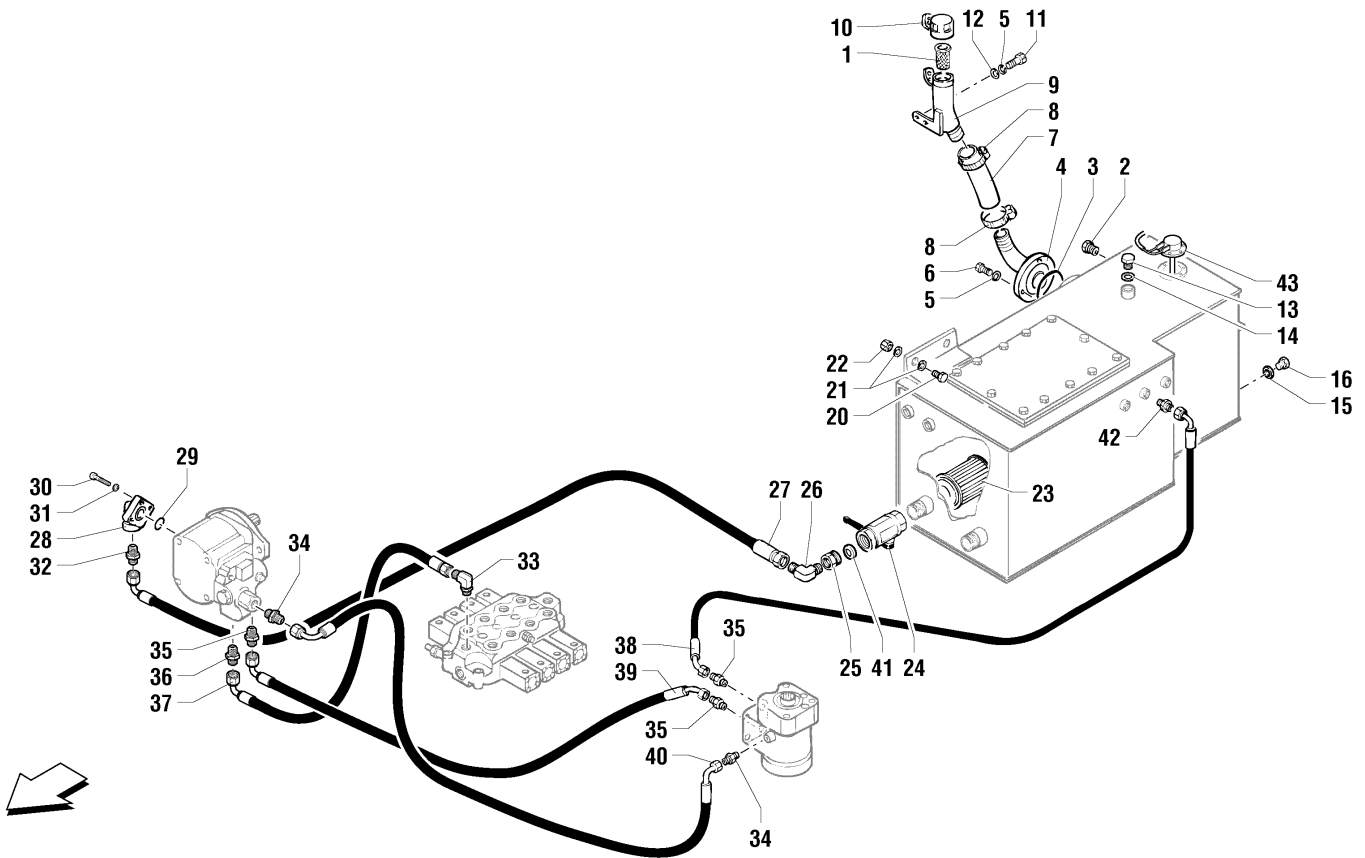
504.1 604723 Hydraulic System - Tank and Exchanger



504.1 604723 Hydraulic System - Tank and Exchanger

Item	Part No.	Description	Qty.
1	51.0600.4100	Oil Tank.....	1
2	07.0726.0044	Hydraulic Oil Tank Inspection Door.....	1
3	53.3301.0002	GASKET.....	1
4	01.0031.0299	FLAT WASHER D8 UNI 6593.....	12
5	01.0023.0054	NUT,M8 UNI 7473 6S ZN.....	12
6	56.0013.0000	TEMPERATURE SENSOR, HYDRAULIC OIL.....	1
7	06.0442.0103	COPPER WASHER.....	2
8	04.0600.0046	PIPE FITTING 3/4X 3/4 BSP.....	4
9	04.4239.0013	Valve 3/4 PA 2.5.....	1
10	04.0605.0190	Flexible Hose.....	1
11	04.0607.0120	Pipe Fitting TMF+L 1" 3/16-12 ORFS.....	2
12	04.0607.0119	PIPE FITTING .....	2
13	04.0600.0009	Pipe Fitting GWR M 3/4" BSP X F 1/2" BSP.....	1
14	04.0600.0041	Pipe Fitting.....	1
15	04.0600.0038	Pipe Fitting.....	1
16	04.0607.0107	PIPE FITTING 3/4"BSP X1"3/16-12 ORFS.....	2
17	04.0605.0420	FLEXIBLE HOSE.....	1
18	04.0605.0205	FLEXIBLE HOSE.....	1
19	04.0607.0130	PIPE FITTING 1 BSPX1-3/16-12 ORFS.....	2
20	04.4239.0012	SAFETY VALVE.....	1
21	04.0605.0207	Flexible Hose.....	1
22	01.0001.0353	SCREW M10X20 UNI 5739 8.8 ZN.....	2
23	01.4032.0004	SPRING WASHER D10 ZN.....	2
24	01.0031.0301	FLAT WASHER D10 UNI 6593 ZN .....	2
25	09.0803.0232	Insulator M-F D=30/H=20 M10ART.TCVF 3020 .....	2

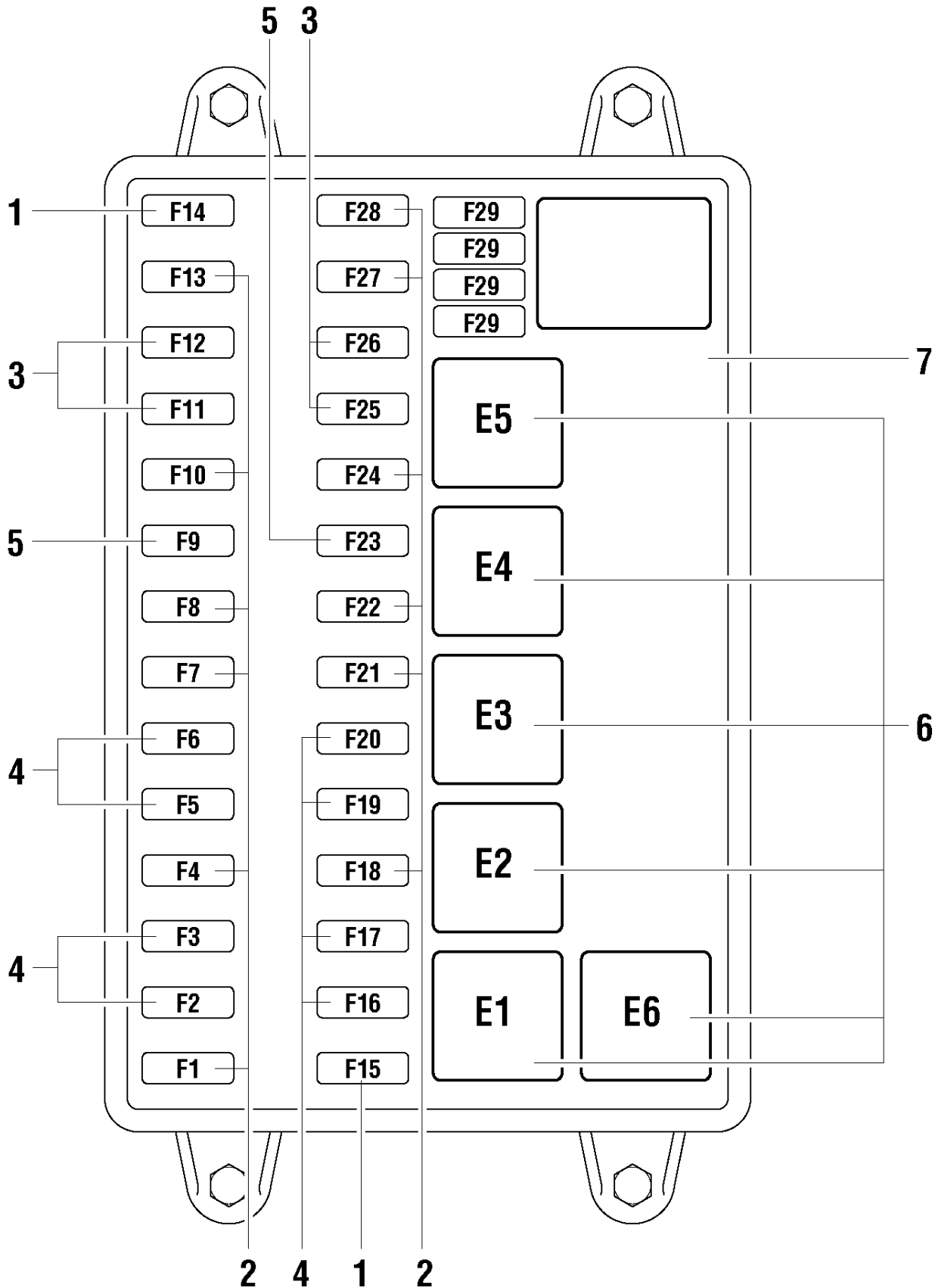
505.1 604724 Suction System - Facilities Pump



505.1 604724 Suction System - Facilities Pump

Item	Part No.	Description	Qty.	Item	Part No.	Description	Qty.
1	09.4661.0016	BASKET,PLUG.....	1	39	04.0605.0197	Flexible Hose.....	1
2	09.4661.0002	OIL LEVEL INDICATOR.....	1	40	04.0605.0231	Flexible Hose R1 X 1/4" Lg. 1400 F90 - F90 9/16"-18 ORFS.....	1
3	06.0401.0842	Seal.....	1	41	06.0442.0111	WASHER.....	1
4	53.3000.1300	Manifold.....	1	42	04.0605.0231	Flexible Hose R1 X 1/4" Lg. 1400 F90 - F90 9/16"-18 ORFS.....	1
5	01.4032.0002	SPRING WASHER D6 ZN.....	6	43	56.0013.0028	LEVEL INDICATOR .....	1
6	01.0001.0156	SCREW M6X20 UNI 5739 8.8 ZN ...	4				
7	09.0805.0007	Rubber Hose.....	0,3				
8	04.0227.0144	Clamp DN 55/59.....	2				
9	53.3001.0700	Manifold.....	1				
10	09.4661.0014	CAP, DIESEL FUEL TX5119*** .....	1				
11	01.0001.0156	SCREW M6X20 UNI 5739 8.8 ZN ...	2				
12	01.0031.0298	FLAT WASHER D6 UNI 6593 ZN ....	2				
13	04.0220.0051	PLUG 1/4" BSP.....	1				
14	06.0442.0101	WASHER.....	1				
15	06.0442.0103	COPPER WASHER.....	1				
16	04.0220.0055	PLUG 1/2 BSP.....	1				
20	01.0001.1482	Screw TE M12X50 UNI 5737 8.8 ZN.....	2				
21	01.0031.0151	FLAT WASHER D12 UNI 6593 ZN.....	4				
22	01.0023.0056	STOP NUT M12 UNI 7473 6S ZN....	2				
23	09.4604.0004	Filter.....	1				
24	04.4224.0000	Ball Valve DN 1 1/2 .....	1				
25	09.0806.0019	Pipe Fitting.....	1				
26	04.0607.0147	FITTING,90, 1"GAS X 1-7/16 M O .....	1				
27	04.0605.0206	Flexible Hose.....	1				
28	04.4223.0000	PIPE FITTING G3 1.....	1				
29	626804	Seal.....	1				
30	01.0001.0355	SCREW,TE,M10X25 UNI 8.8 ZN....	3				
31	01.0031.0056	WASHER,D10 UNI 6592 ZN.....	3				
32	04.0607.0142	PIPE FITTING 1" GASX1-7/16-12 ORFS.....	1				
33	04.0600.0030	Pipe Fitting.....	1				
34	04.0607.0113	PIPE FITTING 1/4 BSPX9/16-18 ORFS.....	2				
35	04.0607.0111	PIPE FITTING 1/2 BSPX13/16-16 ORFS .....	3				
36	04.0607.0107	PIPE FITTING 3/4"BSP X1"3/16-12 ORFS.....	1				
37	04.0605.0196	Flexible Hose.....	1				
38	04.0605.0198	Flexible Hose.....	1				

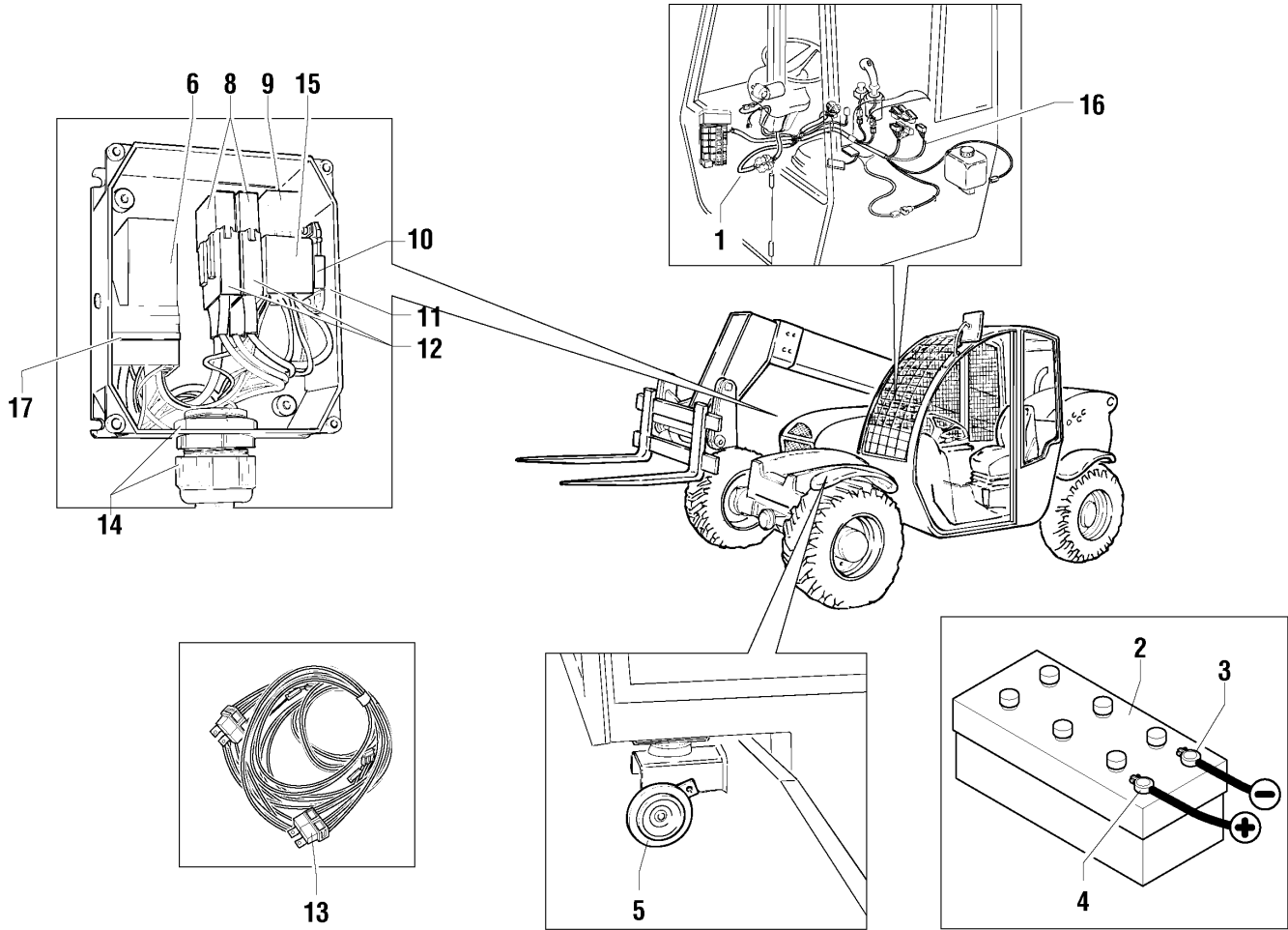
601.1 604733 Fuse Holding Box





Item	Part No.	Description	Qty.
1	07.0703.0081	FUSE.....	2
2	07.0703.0080	Fuse 5A.....	12
3	634972	Fuse 7.5A.....	4
4	07.0703.0079	FUSE.....	8
5	634973	Fuse 15A.....	2
6	07.0703.0179	Relay.....	6
7	641135	HOUSING.....	1

602.1 604738 Electric Installation



Item	Part No.	Description	Qty.
1	55.0601.0029	Wiring Harness.....	1
2	56.0008.0003	Battery.....	1
3	55.0602.0015	CABLE.....	1
4	55.0602.0014	CABLE, BATTERY+.....	1
5	56.0009.0003	HORN .....	1
6	07.4501.0059	RELAY, GLOW PLUG.....	1
8	07.0703.0060	FUSE, 50 AMP .....	2
9	07.0703.0192	RELAY .....	1
10	07.0703.0177	Bracket.....	1
11	07.0703.0176	PULL BOX.....	1
12	07.0703.0058	CONNECTOR.....	2
13	55.0600.0068	Wiring Harness.....	1
14	07.0703.0066	STRAIN RELIEF.....	1
15	07.0703.0188	RELAY HOLDER.....	1
16	55.0602.0306	Parking Brake Kit.....	1
17	07.0703.0290	RELAY HOLDER.....	1

# Part Number Index

The Part Number Index is a numeric index of all part numbers included in this manual. The index shows what page(s) the part is used on.

Part Number	Page	Part Number	Page	Part Number	Page	Part Number	Page
01.0001.0010	.....13	01.4001.0006	.....29	04.0605.0194	.....69, 71, 73	04.4223.0000	.....87
01.0001.0088	.....63	01.4001.0009	.....61	04.0605.0195	.....41	04.4223.0003	.....41
01.0001.0104	.....67	01.4001.0010	.....37, 39	04.0605.0196	.....87	04.4223.0004	.....41
01.0001.0106	.....23, 37, 39	01.4001.0012	.....27, 63, 79	04.0605.0197	.....87	04.4224.0000	.....41, 87
01.0001.0154	.....37, 81	01.4001.0023	.....41	04.0605.0198	.....87	04.4225.0005	.....23
01.0001.0156	.....27, 67, 87	01.4001.0025	.....29	04.0605.0200	.....39	04.4227.0000	.....83
01.0001.0158	.....29, 81	01.4001.0045	.....29	04.0605.0203	.....39	04.4227.0003	.....23
01.0001.0204	.....29	01.4001.0057	.....27	04.0605.0204	.....41	04.4227.0007	.....83
01.0001.0206	.....23, 77, 83	01.4006.0001	.....83	04.0605.0205	.....85	04.4227.0016	.....73
01.0001.0209	.....63, 75, 81	01.4006.0016	.....27	04.0605.0206	.....87	04.4229.0034	.....41
01.0001.0211	.....69	01.4031.0001	.....27	04.0605.0207	.....85	04.4229.0035	.....41
01.0001.0252	.....13, 19–20, 37	01.4031.0004	.....81	04.0605.0209	.....41	04.4235.0018	.....41
01.0001.0254	.....13, 23, 29, 37, 63, 67, 81	01.4032.0000	.....29	04.0605.0211	.....25	04.4236.0029	.....25
01.0001.0256	.....23, 27, 39, 73	01.4032.0002	.....37, 67, 81, 87	04.0605.0213	.....23	04.4237.0010	.....25
01.0001.0257	.....69, 73	01.4032.0003	.....23, 27, 37, 39, 63, 67, 81, 83	04.0605.0215	.....81	04.4238.0033	.....79
01.0001.0310	.....63, 69	01.4032.0004	.....41, 79, 85	04.0605.0216	.....81	04.4238.0036	.....79
01.0001.0353	.....85	01.4032.0005	.....13, 83	04.0605.0217	.....37	04.4239.0002	.....67
01.0001.0355	.....39, 67, 87	01.4032.0006	.....79	04.0605.0220	.....23, 25	04.4239.0004	.....69
01.0001.0356	.....27, 63, 79, 83	01.4032.0007	.....29, 79	04.0605.0222	.....41	04.4239.0005	.....71
01.0001.0357	.....63, 79, 83	01.4032.0009	.....61	04.0605.0223	.....25	04.4239.0012	.....85
01.0001.0358	.....79	02.0117.0101	.....63	04.0605.0225	.....23	04.4239.0013	.....41, 85
01.0001.0402	.....79	02.4102.0003	.....79	04.0605.0226	.....23	04.4239.0019	.....23
01.0001.0405	.....29	03.0000.0006	.....69	04.0605.0227	.....23	04.4239.0032	.....23, 41
01.0001.0409	.....65	04.0220.0051	.....23, 87	04.0605.0229	.....23	04.4239.0051	.....69
01.0001.0503	.....13	04.0220.0053	.....37	04.0605.0231	.....87	04.4239.0052	.....69
01.0001.0506	.....83	04.0220.0055	.....87	04.0605.0232	.....23	04.4239.0071	.....37
01.0001.0606	.....79	04.0220.0059	.....23	04.0605.0239	.....73	04.4240.0015	.....23
01.0001.0659	.....27	04.0227.0051	.....29	04.0605.0366	.....23	04.4240.0037	.....39
01.0001.0702	.....29	04.0227.0054	.....37	04.0605.0417	.....39	04.4240.0042	.....25
01.0001.1482	.....87	04.0227.0067	.....83	04.0605.0418	.....39	04.4240.0045	.....37
01.0003.0157	.....41, 69, 71, 73, 83	04.0227.0144	.....87	04.0605.0419	.....39	04.4240.0052	.....39
01.0003.0159	.....83	04.0600.0009	.....85	04.0605.0420	.....85	04.4240.0054	.....37
01.0003.0203	.....27, 29, 63	04.0600.0013	.....23	04.0605.0507	.....23	05.0400.0010	.....37
01.0003.0208	.....79	04.0600.0019	.....67	04.0605.0582	.....23	05.0401.0003	.....37
01.0003.0257	.....41	04.0600.0021	.....23, 37, 41	04.0605.0583	.....23	05.0401.0007	.....37
01.0003.0262	.....79	04.0600.0025	.....23	04.0605.0584	.....25	05.4309.0001	.....37
01.0003.0405	.....79	04.0600.0030	.....87	04.0605.0587	.....25	05.4309.0002	.....37
01.0003.0944	.....13, 63	04.0600.0031	.....23	04.0607.0103	.....41	05.4329.0003	.....37
01.0006.0033	.....27	04.0600.0038	.....41, 85	04.0607.0104	.....41	06.0401.0214	.....41
01.0006.0049	.....63	04.0600.0041	.....85	04.0607.0105	.....41	06.0401.0219	.....41
01.0019.0104	.....63	04.0600.0042	.....41	04.0607.0107	.....41, 85, 87	06.0401.0842	.....87
01.0023.0034	.....39	04.0600.0044	.....41	04.0607.0109	.....71	06.0442.0054	.....23, 37
01.0023.0053	.....23, 27, 37, 67, 83	04.0600.0045	.....41	04.0607.0110	.....39, 67	06.0442.0055	.....37
01.0023.0054	.....13, 23, 27, 29, 37, 63, 69, 75, 77, 81, 83, 85	04.0600.0046	.....85	04.0607.0111	.....69, 71, 73, 87	06.0442.0057	.....39
01.0023.0055	.....27, 63, 69, 79, 81, 83	04.0600.0050	.....41	04.0607.0112	.....23, 25, 67	06.0442.0101	.....23, 87
01.0023.0056	.....29, 63, 65, 71, 79, 87	04.0600.0053	.....41	04.0607.0113	.....87	06.0442.0102	.....23, 37, 41
01.0023.0057	.....27, 63, 79	04.0600.0057	.....41	04.0607.0114	.....23, 25, 37, 41, 67, 69	06.0442.0103	.....85, 87
01.0023.0058	.....27	04.0600.0068	.....41	04.0607.0117	.....23, 39	06.0442.0105	.....23
01.0023.0062	.....27	04.0600.0081	.....67	04.0607.0119	.....85	06.0442.0109	.....41
01.0023.0064	.....13	04.0600.0087	.....67, 71	04.0607.0120	.....85	06.0442.0111	.....41, 87
01.0031.0054	.....67, 83	04.0600.0159	.....23, 37, 41	04.0607.0122	.....69, 71, 73	07.0700.0000	.....41
01.0031.0055	.....13, 23, 27, 37, 39, 63, 73, 75, 77, 81	04.0600.0160	.....23, 37, 41	04.0607.0124	.....69, 71, 73	07.0700.0001	.....41
01.0031.0056	.....83, 87	04.0600.0163	.....39	04.0607.0126	.....69	07.0701.0007	.....41
01.0031.0057	.....13, 83	04.0600.0165	.....41	04.0607.0127	.....41	07.0701.0196	.....41
01.0031.0058	.....27, 79	04.0602.0490	.....41	04.0607.0129	.....41	07.0703.0052	.....11
01.0031.0059	.....41	04.0605.0097	.....69	04.0607.0130	.....41	07.0703.0056	.....11
01.0031.0061	.....61, 69, 71, 73	04.0605.0112	.....67	04.0607.0131	.....81, 85	07.0703.0058	.....91
01.0031.0063	.....27	04.0605.0113	.....67	04.0607.0132	.....67	07.0703.0060	.....91
01.0031.0099	.....79	04.0605.0114	.....67	04.0607.0137	.....39	07.0703.0066	.....91
01.0031.0151	.....29, 87	04.0605.0117	.....25	04.0607.0138	.....71	07.0703.0077	.....11, 15–16, 19–20
01.0031.0298	.....29, 37, 81, 87	04.0605.0118	.....41	04.0607.0139	.....23	07.0703.0079	.....89
01.0031.0299	.....13, 27, 29, 37, 67, 85	04.0605.0171	.....69	04.0607.0140	.....23	07.0703.0080	.....89
01.0032.0055	.....39, 41, 63, 67, 79	04.0605.0174	.....67	04.0607.0141	.....67, 69	07.0703.0081	.....89
01.0032.0057	.....79	04.0605.0177	.....25	04.0607.0142	.....87	07.0703.0087	.....11
01.0032.0058	.....37, 41	04.0605.0178	.....23	04.0607.0143	.....41	07.0703.0088	.....11, 15–16, 19–20
01.4001.0003	.....63, 71	04.0605.0179	.....23, 37	04.0607.0146	.....37	07.0703.0089	.....11
		04.0605.0180	.....25	04.0607.0147	.....87	07.0703.0113	.....11
		04.0605.0181	.....25	04.0607.0149	.....37	07.0703.0116	.....39
		04.0605.0184	.....71, 73	04.0607.0150	.....69, 73	07.0703.0176	.....91
		04.0605.0185	.....23	04.0607.0152	.....69, 73	07.0703.0177	.....91
		04.0605.0186	.....71	04.0607.0163	.....67	07.0703.0179	.....89
		04.0605.0187	.....69	04.4210.0016	.....23, 37, 41	07.0703.0188	.....91
		04.0605.0189	.....71	04.4210.0018	.....67	07.0703.0192	.....91
		04.0605.0190	.....85	04.4210.0019	.....67	07.0703.0290	.....91
		04.0605.0193	.....23	04.4210.0024	.....23, 25	07.0703.0455	.....11

## Part Number Index (continued)

Part Number	Page	Part Number	Page	Part Number	Page	Part Number	Page
07.0703.0457	.....11	07.0709.0244	.....55	07.0709.0322	.....47	07.0723.0149	.....13
07.0703.0458	.....11	07.0709.0245	.....45, 55	07.0709.0323	.....47	07.0723.0150	.....13
07.0703.0459	.....11	07.0709.0246	.....55	07.0709.0324	.....49	07.0723.0151	.....15-16
07.0703.0465	.....13	07.0709.0247	.....55	07.0709.0325	.....49	07.0723.0152	.....15-16, 19-20
07.0703.0472	.....11	07.0709.0248	.....55	07.0709.0326	.....49	07.0723.0153	.....15-16
07.0703.0473	.....11	07.0709.0249	.....45, 55	07.0709.0327	.....49	07.0723.0154	.....15-16
07.0703.0474	.....11	07.0709.0250	.....55	07.0709.0328	.....49	07.0723.0155	.....19-20
07.0703.0476	.....11	07.0709.0251	.....55	07.0709.0329	.....49	07.0723.0156	.....15-16, 19-20
07.0703.0477	.....11	07.0709.0252	.....55	07.0709.0330	.....49	07.0723.0157	.....15-16, 19-20
07.0703.0479	.....11	07.0709.0253	.....45, 55	07.0709.0332	.....49	07.0723.0158	.....15-16
07.0703.0508	.....13	07.0709.0254	.....45, 49, 55	07.0709.0333	.....49	07.0723.0161	.....15-16
07.0703.0509	.....13	07.0709.0255	.....45, 55	07.0709.0334	.....49	07.0723.0163	.....15-16
07.0703.0610	.....11	07.0709.0256	.....45	07.0709.0335	.....49	07.0723.0164	.....15-16
07.0703.0611	.....11	07.0709.0257	.....45, 55	07.0709.0336	.....49	07.0723.0165	.....15-16, 19-20
07.0704.0032	.....75	07.0709.0258	.....45, 55	07.0709.0337	.....49	07.0723.0166	.....15-16, 19-20
07.0704.0033	.....75	07.0709.0259	.....45, 55	07.0709.0338	.....49	07.0723.0168	.....13
07.0704.0034	.....75	07.0709.0260	.....45, 55	07.0709.0339	.....49	07.0723.0169	.....13, 15-16, 19-20
07.0704.0035	.....75	07.0709.0261	.....47, 57	07.0709.0340	.....49	07.0723.0170	.....13, 15-16
07.0704.0037	.....77	07.0709.0262	.....47, 57	07.0709.0341	.....49	07.0723.0171	.....13, 15-16, 19-20
07.0704.0038	.....75	07.0709.0263	.....47	07.0709.0342	.....49	07.0723.0172	.....15-16, 19-20
07.0704.0040	.....77	07.0709.0264	.....47, 57	07.0709.0343	.....49	07.0723.0173	.....13, 15-16
07.0704.0042	.....75	07.0709.0265	.....47, 57	07.0709.0344	.....49	07.0723.0174	.....15-16, 19-20
07.0704.0045	.....75	07.0709.0266	.....47, 57	07.0709.0345	.....49	07.0723.0175	.....15-16, 19-20
07.0704.0046	.....77	07.0709.0267	.....47, 57	07.0709.0346	.....49	07.0723.0176	.....15-16, 19-20
07.0704.0049	.....77	07.0709.0268	.....47, 57	07.0709.0347	.....49	07.0723.0177	.....15-16
07.0704.0078	.....75	07.0709.0269	.....47, 57	07.0709.0349	.....49	07.0723.0178	.....15-16
07.0704.0113	.....75	07.0709.0270	.....47, 57	07.0709.0350	.....49	07.0723.0182	.....15-16
07.0704.0117	.....77	07.0709.0271	.....47, 57	07.0709.0351	.....49	07.0723.0183	.....15-16, 19-20
07.0704.0118	.....77	07.0709.0272	.....47, 57	07.0709.0352	.....49	07.0723.0184	.....15-16
07.0704.0119	.....77	07.0709.0273	.....47, 57	07.0709.0363	.....47, 57	07.0723.0185	.....15-16, 19-20
07.0704.0120	.....77	07.0709.0274	.....45, 47, 57	07.0709.0365	.....47, 57	07.0723.0188	.....15-16, 19-20
07.0704.0128	.....23	07.0709.0275	.....47, 57	07.0709.0388	.....55	07.0723.0189	.....15-16
07.0704.0133	.....77	07.0709.0276	.....47, 57	07.0709.0417	.....51, 59	07.0723.0190	.....15-16, 19-20
07.0704.0134	.....77	07.0709.0277	.....47, 57	07.0709.0706	.....55	07.0723.0192	.....11
07.0704.0135	.....77	07.0709.0278	.....47, 57	07.0709.0707	.....57	07.0723.0196	.....13
07.0704.0136	.....77	07.0709.0279	.....47, 57	07.0709.0708	.....57	07.0723.0197	.....13
07.0704.0137	.....77	07.0709.0280	.....47, 57	07.0709.0709	.....45	07.0723.0198	.....13
07.0704.0138	.....77	07.0709.0281	.....47, 57	07.0709.0710	.....45	07.0723.0202	.....15-16, 19-20
07.0704.0143	.....25	07.0709.0282	.....47, 57	07.0709.0711	.....49	07.0723.0211	.....13
07.0704.0169	.....77	07.0709.0284	.....47, 57	07.0709.0712	.....49	07.0723.0213	.....13
07.0705.0085	.....69	07.0709.0285	.....51, 59	07.0712.0006	.....81	07.0723.0214	.....13
07.0706.0061	.....15-16	07.0709.0286	.....51, 59	07.0712.0046	.....81	07.0723.0215	.....13
07.0709.0034	.....49	07.0709.0287	.....61	07.0712.0047	.....81	07.0723.0217	.....13
07.0709.0057	.....47, 55, 57	07.0709.0288	.....61	07.0712.0048	.....81	07.0723.0219	.....15-16, 19-20
07.0709.0065	.....47, 57	07.0709.0289	.....61	07.0713.0051	.....79	07.0723.0220	.....15-16, 19-20
07.0709.0066	.....57	07.0709.0290	.....47, 57	07.0721.0019	.....69	07.0723.0221	.....15-16, 19-20
07.0709.0070	.....47, 57	07.0709.0291	.....47, 57	07.0721.0117	.....69	07.0723.0222	.....15-16, 19-20
07.0709.0071	.....47, 57	07.0709.0292	.....43	07.0722.0053	.....79	07.0723.0223	.....15-16, 19-20
07.0709.0084	.....43, 53	07.0709.0293	.....45	07.0723.0004	.....27	07.0723.0224	.....19-20
07.0709.0104	.....47, 57	07.0709.0294	.....45	07.0723.0011	.....13	07.0723.0225	.....15-16, 19-20
07.0709.0113	.....47, 57	07.0709.0295	.....45	07.0723.0024	.....13	07.0723.0226	.....15-16, 19-20
07.0709.0117	.....47, 57	07.0709.0296	.....45	07.0723.0036	.....15-16, 19-20	07.0723.0227	.....15-16, 19-20
07.0709.0118	.....47, 57	07.0709.0297	.....45	07.0723.0037	.....15-16, 19-20	07.0723.0228	.....15-16, 19-20
07.0709.0119	.....47, 57	07.0709.0298	.....45	07.0723.0039	.....11, 13, 20	07.0723.0229	.....15-16, 19-20
07.0709.0124	.....47, 57	07.0709.0299	.....45	07.0723.0040	.....13, 16, 20	07.0723.0230	.....15-16, 19-20
07.0709.0127	.....45	07.0709.0300	.....45	07.0723.0042	.....13	07.0723.0231	.....15-16, 19-20
07.0709.0130	.....45	07.0709.0301	.....45	07.0723.0045	.....15-16, 19-20	07.0723.0232	.....15-16, 19-20
07.0709.0134	.....45, 51, 59	07.0709.0302	.....45	07.0723.0049	.....13	07.0723.0233	.....15-16, 19-20
07.0709.0136	.....57	07.0709.0303	.....45	07.0723.0054	.....13	07.0723.0236	.....15-16, 19-20
07.0709.0160	.....45	07.0709.0304	.....45	07.0723.0055	.....13	07.0723.0237	.....15-16, 19-20
07.0709.0168	.....55	07.0709.0305	.....45	07.0723.0057	.....15-16, 19-20	07.0723.0270	.....15-16
07.0709.0171	.....47, 57	07.0709.0306	.....45	07.0723.0074	.....11, 13, 20	07.0723.0283	.....13
07.0709.0174	.....45, 55	07.0709.0307	.....45	07.0723.0076	.....13, 16, 20	07.0723.0337	.....16
07.0709.0188	.....45	07.0709.0308	.....45	07.0723.0096	.....13, 15-16, 19-20	07.0723.0338	.....15-16
07.0709.0218	.....61	07.0709.0309	.....45	07.0723.0104	.....11	07.0723.0339	.....15-16
07.0709.0232	.....43, 45, 53	07.0709.0310	.....45	07.0723.0111	.....13	07.0723.0343	.....15-16
07.0709.0234	.....45, 55	07.0709.0311	.....45	07.0723.0114	.....19-20	07.0723.0345	.....16, 20
07.0709.0235	.....55	07.0709.0312	.....45	07.0723.0133	.....15-16, 19-20	07.0723.0352	.....13
07.0709.0236	.....55	07.0709.0313	.....45	07.0723.0134	.....15-16	07.0723.0407	.....20
07.0709.0237	.....55	07.0709.0314	.....45	07.0723.0135	.....15-16, 19-20	07.0723.0408	.....20
07.0709.0238	.....55	07.0709.0315	.....45	07.0723.0137	.....15-16	07.0723.0409	.....20
07.0709.0239	.....55	07.0709.0316	.....45	07.0723.0140	.....15-16	07.0723.0410	.....19-20
07.0709.0240	.....55	07.0709.0317	.....45	07.0723.0142	.....13, 20	07.0723.0419	.....19-20
07.0709.0241	.....55	07.0709.0319	.....45	07.0723.0144	.....15-16, 19-20	07.0723.0420	.....19-20
07.0709.0242	.....55	07.0709.0320	.....45	07.0723.0145	.....13	07.0723.0421	.....19-20
07.0709.0243	.....55	07.0709.0321	.....47	07.0723.0146	.....13	07.0723.0422	.....19-20

## Part Number Index (continued)

Part Number	Page	Part Number	Page	Part Number	Page	Part Number	Page
07.0723.0423	19-20	09.0803.0510	29	51.0806.2700	83	55.0403.0046	35
07.0723.0425	19-20	09.0803.0523	73	51.0806.2800	83	55.0600.0068	91
07.0723.0426	19-20	09.0804.0100	79	51.0806.3500	23	55.0601.0029	91
07.0723.0428	19-20	09.0804.0900	79	51.0806.3800	63	55.0602.0014	91
07.0723.0429	19-20	09.0804.1000	79	51.0806.8900	81	55.0602.0015	91
07.0723.0432	19-20	09.0804.1100	79	51.0807.9800	79	55.0602.0306	91
07.0723.0434	19-20	09.0804.1200	79	51.0808.6000	23	56.0008.0003	91
07.0723.0439	19-20	09.0805.0000	29, 37	51.0809.1800	83	56.0009.0003	91
07.0723.0441	19-20	09.0805.0007	87	51.0809.3900	63	56.0009.0009	29
07.0723.0442	19-20	09.0805.0053	83	51.0809.4000	63	56.0010.0005	13
07.0723.0444	20	09.0805.0054	83	51.0901.5500	27	56.0012.0027	37
07.0723.0446	20	09.0806.0019	87	51.0902.5500	27	56.0012.0074	29
07.0723.0448	19-20	09.4601.0028	79	51.0902.5600	27	56.0013.0000	85
07.0723.0460	19-20	09.4604.0001	41	51.0902.5800	27	56.0013.0028	87
07.0723.0461	19-20	09.4604.0004	87	51.0902.7000	29	56.0016.0072	11
07.0723.0485	13	09.4604.0032	83	51.0903.1500	67	56.0016.0073	11
07.0723.0630	13	09.4610.0003	27	51.1000.5200	29	56.0017.0015	11
07.0723.0672	15-16, 19-20	09.4610.0011	27	51.1100.0014	13	58.1800.1300	19-20
07.0723.0684	19-20	09.4610.0017	13	51.1300.5400	65	626804	87
07.0726.0043	63	09.4610.0024	13	51.1301.4300	65	629733	49
07.0726.0044	85	09.4610.0025	13	52.1100.7200	27	629735	49
07.0726.0065	27	09.4610.0027	13	52.1200.0700	11	630328	49
07.0726.0083	27	09.4616.0051	33	52.1200.1100	11	630694	55
07.0726.0107	27	09.4616.0101	33	52.1200.3700	11	632070	49
07.0728.0005	39	09.4618.0010	31	52.1200.3800	11	632383	47, 57
07.0728.0006	37, 39	09.4618.0061	31	52.1200.3900	11	632959	69
07.0728.0007	37	09.4618.0109	31, 33	53.0000.0100	71	633098	55
07.0730.0013	37	09.4618.0205	31	53.0100.0100	71	633110	55
07.0730.0017	37	09.4618.0389	33	53.0300.1100	69	633160	55
07.0730.0019	37	09.4618.0641	31	53.0400.0100	69	633176	47, 57, 61
07.0730.0023	37	09.4618.0643	31	53.0500.0400	67	633204	43, 53
07.0730.0025	37	09.4618.0644	31	53.3000.1100	23	633529	45, 55
07.0738.0002	35	09.4618.0645	33	53.3000.1300	87	633531	55
07.0740.0117	19-20	09.4618.0679	33	53.3001.0400	83	633533	45, 55
07.0740.0247	20	09.4618.0784	31	53.3001.0500	67	633534	45, 55
07.4501.0059	91	09.4627.0018	35	53.3001.0700	87	633944	55
07.4501.0060	83	09.4629.0018	35	53.3001.0800	23	633946	45
07.4501.0061	83	09.4632.0053	35	53.3100.0020	83	634391	45, 55
07.4501.0062	83	09.4632.0054	35	53.3100.0033	83	634392	45, 55
07.4501.0063	83	09.4635.0014	35	53.3200.0022	81	634393	45, 55
07.4501.0064	83	09.4635.0040	35	53.3301.0002	85	634397	51, 59
07.4501.0065	83	09.4636.0003	39	53.3302.0017	81	634546	47, 57
07.4501.0066	83	09.4636.0008	39	53.3401.2100	71	634561	45
07.4501.0067	79	09.4636.0012	39	53.3401.2200	71	634972	89
07.4501.0105	69	09.4645.0024	83	53.3401.2300	73	634973	89
07.4501.0239	79	09.4645.0028	83	53.3401.2400	73	634981	79
07.4529.0027	37	09.4656.0007	83	53.3401.2500	69	635597	45
07.4529.0028	23	09.4656.0009	83	53.3401.2600	69	635965	69
07.4529.0072	71	09.4661.0002	87	54.0000.0017	63	636413	55
07.4529.0111	39	09.4661.0014	87	54.0000.0020	63	638548	47, 49, 57, 61
07.4529.0112	79	09.4661.0016	29, 87	54.0000.0021	69	639327	49
07.4529.0119	29	09.4661.0020	29	54.0000.0022	71	639329	49
09.0801.0006	71	09.4661.0021	29	54.0000.0025	63	639395	67
09.0803.0000	27	09.4661.0022	29	54.0000.0027	29	639637	45
09.0803.0002	29	09.4670.0000	29	54.0000.0068	65	639639	47, 57
09.0803.0005	27	09.4670.0001	81	54.0000.0192	63	639641	47, 57
09.0803.0008	83	09.4670.0002	81	54.0001.0001	67	639642	47, 57
09.0803.0012	27	09.4670.0004	27, 79	54.0001.0022	67	639643	47
09.0803.0024	27	29557	79	54.0002.0013	69	639646	47, 57
09.0803.0025	29	29560	79	54.0002.0014	63	639670	45, 47, 57
09.0803.0026	29	51.0111.1000	27	54.0003.0003	63	639830	45
09.0803.0027	83	51.0200.9800	63	54.0003.0016	63	639832	45
09.0803.0043	41, 69, 71, 73	51.0200.9900	63	54.0100.0002	27	639992	69
09.0803.0060	69, 73	51.0400.3000	67	54.0100.0017	27	639993	71
09.0803.0061	69	51.0600.2700	29	54.0100.0027	65	640096	71
09.0803.0062	63	51.0600.4100	85	54.0100.0066	79	640495	11
09.0803.0064	83	51.0800.3800	29	54.0200.0000	63	640496	11
09.0803.0088	37	51.0802.4400	27	54.0200.0001	63	640497	11
09.0803.0109	83	51.0803.5700	27	54.0201.0007	63	640995	15-16, 19-20
09.0803.0228	27	51.0804.8400	63	54.0201.0009	63	640996	15-16
09.0803.0229	27	51.0804.9000	63	54.0702.0000	63	641004	15-16, 19-20
09.0803.0232	85	51.0805.1900	27	54.0702.0001	63	641009	13
09.0803.0244	27	51.0806.0000	27	54.0702.0002	63	641019	15-16, 19-20
09.0803.0245	27, 81	51.0806.1000	27	54.0702.0005	63	641020	15-16, 19-20
09.0803.0251	83	51.0806.1300	79	54.0702.0013	63	641024	15-16, 19-20
09.0803.0259	83	51.0806.2400	83	54.0702.0014	27	641042	15-16, 19-20

<b>Part Number</b>	<b>Page</b>
641053 .....	11
641065 .....	11
641124 .....	79
641135 .....	89
75393 .....	79
82558 .....	31
97664 .....	31
97665 .....	31
97666 .....	31
97667 .....	31
97668 .....	31
97669 .....	31
97670 .....	31
97671 .....	31
97672 .....	31
97673 .....	31
97674 .....	31
97675 .....	31
97676 .....	31
97688 .....	31
992989 .....	39
999058 .....	79

## Part Description Index

The Part Description Index is an alphabetical index of all part descriptions included in this manual. The index shows what page(s) the part is used on.

- 6**
- 604726 pos. 45.....37  
604726 pos. 49.....69  
604726 pos. 50.....41
- A**
- ACCELERATOR CABLE.....83  
AIR CONVEYOR (RADIATOR SHROUD).....81  
AIR INLET.....29  
Air Inlet.....11, 83  
ALARM.....29  
ALTERNATOR, DEUTZ (55AMP) \*\*\*.....79  
ARM.....47  
Arm.....57, 63  
ARTICULATED TIE ROD.....51, 59  
ARTICULATION.....77
- B**
- Back-Up Ring.....49  
Back-up Ring.....49  
BALL.....49  
Ball Joint.....69  
BALL JOINT .....69  
Ball Valve DN 1 1/2 .....41, 87  
Basic Arm.....63  
BASKET,PLUG.....29, 87  
Battery.....91  
BATTERY HOLD DOWN BRACKET.....27  
BEARING.....45  
Bearing.....45, 47, 55, 57  
BEARING .....45, 55  
Bearing .....47  
Belt.....79  
BELT, DOOR ASSY GTH5519.....19-20  
BELT,SEAT A5073.104 .....13  
BEVEL GEAR SET.....45  
Bevel Gear Set.....55  
BLEEDER VALVE, LONG .....49  
BODY.....77  
Boom.....57  
BRACKET.....83  
Bracket.....23, 81, 83, 91  
BRACKET,LEFT.....20  
BRACKET,RIGHT.....20  
BRAKE DISC.....49  
Brake Disc Internal.....49  
BRAKE PEDAL KIT.....37  
BRAKE RESERVOIR W/BRACKET .....37  
Bushin.....45  
BUSHING.....15-16, 19-20, 47, 49, 57, 61  
Bushing.....45, 47, 57, 61, 63, 71  
Bushing 50/60X100.....63  
Bushing BL16234.....37  
BUSHING M10X13.5.....63  
BUSHING M10X8.5 .....63
- C**
- CABLE.....83, 91  
CABLE, BATTERY+.....91  
Cap Kit.....75  
CAP, DIESEL FUEL TX5119\*\*\* .....87  
CAP,OIL FILLER,DEUTZ,DIESEL \*\*\*.....79  
Cardan Shaft.....35, 47, 57  
CARDAN SHAFT ASSY KIT.....35
- Cartridge.....41  
CARTRIDGE/OUTER AIR CLEANER\*\*.....83  
Chain.....29  
Circlip.....47, 57  
Clamp.....83  
Clamp D16 D8.4 .....23  
CLAMP D60 HOLE 10.5.....73  
CLAMP DN 10/16 LG 9.....29  
CLAMP DN 15/25 LG 9.....37  
Clamp DN 50/70 LG12.....83  
Clamp DN 55/59.....87  
CLAMP DN 60/80 LG12.....83  
CLAMP S16 D32 HOLE 8.4.....83  
CLAMP,DOUBLE,D16.....69, 73  
CLIP.....15-16, 19-20  
CLUTCH DISC.....45  
Clutch Disc.....45  
Coating.....13  
COIL, VALVE .....39  
COIL,SQUARE SOLENOID.....37  
Collar.....83  
Complete Filter.....41  
Complete Radiator.....81  
Complete Selector.....77  
COMPLETE WHEEL 16.5 AIR,RIGHT.....35  
CONNECTOR.....91  
CONTROL LEVER.....77  
Control Valve.....25, 77  
COPPER WASHER.....85, 87  
Copper Washer JC 17.....23, 37, 41  
Copper Washer JC 18 SP2,5.....39  
Cosmetic - Genie GTH-5519.....31  
COUNTERWEIGHT.....29  
COUPLING/HOOK(LATCH)/BRACKET.....27  
Cover.....45, 55, 83  
COVER,PARK BRAKE/RED.....11  
COVER,TOGGLE SWITCH.....11  
COVER,TOGGLE SWITCH PREHEATING...11  
CRINKLE WASHER,DM.10.....19-20  
CROSS JOINT.....55  
Cursor.....75, 77  
CYL PROTECTOR (SHIELD, GUARD).....67  
Cylinder.....27, 51, 59, 67, 69  
CYLINDER GASKET KIT.....71
- D**
- Danger - Fall Hazard, No Riders.....31  
DASH, PANEL COVER.....11  
DASHBOARD.....11  
Dashboard.....11  
DASHBOARD,RIGHT SIDE.....11  
Decal - Capacity of the Truck and Attachment.....31  
DECAL, (DO NOT OPEN WHEN RUN).....31  
DECAL, BOOM ANGLE INDICATOR.....31  
DECAL, SHEET VARIOUS.....31, 33  
DECAL,BURN HAZARD.....31  
DECAL,COSMETIC,GTH-5519.....31  
DECAL,DANGER,CRUSH HAZARD.....31  
DECAL,DANGER,ELECTRICAL HAZARD.....31  
DECAL,DANGER,EXPLSION/BURN HAZ.....31  
DECAL,EMERGENCY EXIT HANDLE.....31  
DECAL,JOYSTICK FUNCTIONS.....33  
DECAL,SKIN INJECTION.....31  
DECAL,TIRE PREASURE.....31  
DECAL,WARN,CRUSH HAZ MOVING PT....31
- DECAL,WARN,EXPLSION/BURN HAZ.....31  
DECAL,WARN,FALLING OBJECT HAZ.....31  
DECAL,WARN,OVERTURN HAZARD.....31  
DECAL,WARN,READ MANUAL.....31  
DECAL,WARN,WEAR SEAT BELT.....31  
Diesel Engine.....79  
DIESEL TANK.....29  
DIFFERENTIAL CASE.....55  
Differential Case.....45  
Differential Pinion.....45, 55  
DIFFERENTIAL SIDE GEAR.....45  
Differential Side Gear.....55  
DISPLAY, GAUGES.....11  
DOOR COATING, 5519 LOWER DOOR.....19-20  
DOOR STOP KIT.....15-16, 19-20  
DOUBLE HOSE LOCKING PLATE D18.....73  
DOWEL .....45, 49, 55  
DRAIN PLUG M16.....29  
DRILLED SCREW, PRESSURE SWITCH.....37
- d**
- drilled Screw M14X1.5.....37
- E**
- Elastic Joint.....79  
EXHAUST MUFFLER.....83  
Extension Cylinder.....71  
External Sound-Proofing.....13
- F**
- Fan.....81  
Filter.....83, 87  
FILTER,FUEL/WTR SEP, DTZ 1008.....79  
FILTER,OIL.....79  
FILTER .....13  
Fitting 3/8 BSP X 9/16 ORFS.....23  
FITTING,90, 1"GAS X 1-7/16 M O .....87  
FITTING,GWR,3/4M X 3/8F.....23  
Flange.....45, 55, 77  
Flashing Beacon.....13  
Flashing Beacon Bracket.....13  
FLAT WASHER D10 UNI 6593 ZN .....27, 67, 79, 81, 85  
FLAT WASHER D12 UNI 6593 ZN.....29, 87  
FLAT WASHER D14 UNI 6592 ZN .....27, 79  
FLAT WASHER D16 UNI 5714 ZN.....79  
FLAT WASHER D16 UNI 6592 ZN.....41  
FLAT WASHER D20 UNI 6592 ZN.....61, 69, 71, 73  
FLAT WASHER D6 UNI 6592 ZN .....67, 83  
FLAT WASHER D6 UNI 6593 ZN ...29, 37, 81, 87  
FLAT WASHER D8 UNI 6592 ZN ...13, 23, 27, 37, 39, 63, 73, 75, 77, 81  
FLAT WASHER D8 UNI 6593.....13, 27, 29, 37, 67, 85  
FLAT WASHER D8X32 UNI 6593 ZN.....81  
FLEXIBLE HOSE.....23, 25, 39, 67, 71, 73, 85  
Flexible Hose.....23, 25, 37, 39, 41, 69, 73, 81, 85, 87  
FLEXIBLE HOSE 7.75 INCH .....67  
Flexible Hose R1 X 1/4 LG.1000 FD F90 9/16-18 ORFS.....25



Flexible Hose R1 X 1/4" Lg. 1400 F90 - F90 9/16"-18 ORFS.....87  
 Flexible Hose R2 X 1/2 LG.1950 FD F90 13/16-16 ORFS.....71  
 Flexible Hose R2 X 1/2 LG.2050 FD F90 13/16-16 ORFS.....71  
 Flexible Hose R2 X 1/4 LG. 900 FD FD 9/16-18 ORFS.....23  
 FLOATING FORK CARRIAGE.....65  
 FOAM PAD INSULATOR.....81  
 FORK (4" WIDE X 48" LONG).....65  
 Fork Coupling Attachment.....67  
 Frame.....13, 15-16, 27  
 Front Axle.....35  
 Front Side Glass.....15-16, 19-20  
 Fuel Gauge.....29  
 FUSE.....89  
 Fuse 15A.....89  
 Fuse 5A.....89  
 Fuse 7.5A.....89  
 FUSE, 50 AMP .....91

**G**

GASKET.....15-16, 19-20, 27, 81, 85  
 Gasket Kit.....51, 59  
 GASKET/JOINT KIT.....69  
 GAUGE, HYDRAULIC OIL TEMP, 5519.....11  
 Gear.....45  
 Glass.....15-16  
 GLASS STOP.....15-16, 19-20  
 Grate.....13  
 GREASE NIPPLE G 1/8.....63  
 GREASE ZERK .....47, 57, 61  
 GUARD.....11, 13  
 Guard.....15-16, 19-20, 27, 81

**H**

HALF FLANGE D47.....41  
 HALF-COUPLING.....79  
 HANDLE.....15-16, 19-20, 29  
 Handle.....27  
 HANDLE EXTENSION.....16  
 HANDLE, INTERNAL DOOR.....15-16, 19-20  
 Hatch.....27  
 HINGE.....15-16, 19-20  
 Hinge.....15-16, 19-20, 27, 29  
 Hitch.....29  
 HITCH PIN.....29  
 HORN .....91  
 HOSE ASSEMBLY R1X1/4LG350 A.R.M.1/4-F90 9/16-18.....23  
 Hose R1 X 1/4 LG.1000 F90 F90 9/16-18 ORFS a 90°.....23  
 Hose R1 X 1/4 LG.1350 FD F90 9/16-18 ORFS.....25  
 Hose R1 X 1/4 LG. 800 F90-F90 9/16-18 ORFS.....25  
 HOSE R1X1/4 LG 700 FD-F90 9/16-18 ORFS.....23, 37  
 HOSE R1X1/4LG700 A.R.M.1/4 F90 9/16-18.....23  
 Hose R2 X 3/8 LG.600 FD F90 11/16-16 ORFS.....67  
 HOSE R2X1/4 LG 405 FD-F90 9/16-18 ORFS.....67  
 HOUSING.....43, 47, 57, 79, 89  
 Hydraulic Motor.....41  
 Hydraulic Oil Tank Inspection Door.....85

Indicator.....11, 41  
 INSULATOR.....27  
 Insulator M-F D=30/H=20 M10ART.TCVF 3020 .....85  
 INTERIOR PANEL WITH POUCH.....13  
 Intermediate Clutch Disc.....45  
 ISOLATOR,VIBRATION.....81

**J**

Joint Box.....47, 57  
 JOINT D6.....83  
 JOINT ENGINE/PUMP .....79  
 Joint Kit.....23, 37, 39  
 Joystick.....25

**K**

KEY.....15-16, 19-20  
 KEY ONLY ( 1 PAIR).....11  
 KEY SWITCH WITH 2 KEYS.....15-16, 19-20  
 Kit Solenoid Valve.....77  
 KIT,DOOR LOCK.....29  
 KNURLED COUPLING .....37

**L**

Label.....15-16, 19-20  
 Label - Hydraulic Oil.....33  
 Label from SN 14976.....33  
 Label to SN 14977.....33  
 LABEL,GENIE DECAL.....31  
 LEFT SIDE GLASS.....15-16, 19-20  
 LEFT SIDE, DASHBOARD.....11  
 LEVEL GAUGE.....13, 20  
 LEVEL INDICATOR .....87  
 Lever.....15-16, 37  
 Lifting Jack.....71  
 Lock.....13, 27  
 LOCK/PLATE.....27  
 LOCKING BRACKET,DOUBLE CLAMP.....69  
 LOWER DOOR.....19-20  
 Lower Door.....15-16  
 LOWER DOOR ASSY.....19-20  
 LOWER DOOR ASSY GTH5519 \*\*\*\* .....19-20  
 LOWER DOOR/ GTH5519.....19-20

**M**

Machine Data Plate.....33  
 Main Valve Body.....75  
 Manifold.....23, 83, 87  
 MANIFOLD, BOOM HOSES.....67  
 Mirror.....13  
 MIRROR SUPPORT.....27  
 MIRROR W/BRACKET, SINGLE .....13  
 MIRROR-REAR VIEW MIRROR.....27  
 Mud-Guard.....27  
 MUFFLER.....83  
 Muffler Cap.....83

**N**

NAME PLATE.....11  
 NEEDLE FOR INCLINEOMETER.....63  
 NUT.....15-16, 19-20, 47, 57  
 Nut.....15-16, 19-20, 47, 55, 57  
 Nut M24 UNI 7473 6SZN.....27  
 NUT M8 UNI 5588 6S ZN.....63

NUT,M8 UNI 7473 6S ZN....13, 23, 27, 29, 37, 63, 69, 75, 77, 81, 83, 85  
 NUT,STOP,M10 UNI 7473 6S ZN....27, 63, 69, 79, 81, 83  
 Nylon Washer.....19-20

**O**

O-RING.....41, 49, 51, 55, 59, 71, 75  
 O-Ring.....29, 41, 49  
 O-RING .....45  
 OIL COOLER.....81  
 OIL LEVEL INDICATOR.....87  
 Oil Tank.....85  
 ORING.....69

**P**

Pad 20X250.....27  
 Parking Brake Kit.....91  
 PEDAL.....37, 83  
 PILOT LIGHT.....11  
 PIN.....15-16, 37, 63, 67, 71  
 Pin.....19-20, 45, 49, 55, 63, 67, 69  
 PIN, FORK.....65  
 PIN,8X85 .....19-20  
 PINION,DIFFERENTIAL.....47, 57  
 Pipe.....69, 71, 73  
 PIPE FITTING.....15-16, 19-20, 23, 25, 37, 41  
 Pipe Fitting.....37, 39, 41, 71, 85, 87  
 PIPE FITTING 3/8BSPX11/16-16 ORFS.....23, 39  
 PIPE FITTING 1 BSPX1-3/16-12 ORFS.....81, 85  
 PIPE FITTING 1" GASX1-7/16-12 ORFS.....87  
 PIPE FITTING 1/2 BSPX13/16-16 ORFS ...69, 71, 73, 87  
 PIPE FITTING 1/2BSP x 11/16-16 ORFS...39, 67  
 PIPE FITTING 1/4 BSPX9/16-18 ORFS.....87  
 Pipe Fitting 1/4BSP.V.60°X9/16-18 ORFS.....37  
 PIPE FITTING 1/4BSPX11/16-16 ORFS.....67  
 PIPE FITTING 1/4X3/8 BSP.....23, 37, 41  
 Pipe Fitting 18X1.5 X 11/16-16 ORFS.....39  
 PIPE FITTING 3/4"BSP X1"3/16-12 ORFS.....41, 85, 87  
 PIPE FITTING 3/4X 3/4 BSP.....85  
 PIPE FITTING 3/8 BSPX9/16-18 ORFS.....23, 25, 37, 41, 67, 69  
 PIPE FITTING 45 M-M 1/4 BSPX9/16-18 ORFS.....67  
 PIPE FITTING 90.....67, 71  
 PIPE FITTING 90 1/2GASXM 13/16-16 ORFS.....67, 69  
 PIPE FITTING 90 M-M 13/16-16 ORFS.....69, 71, 73  
 Pipe Fitting 90° Long.....69, 73  
 Pipe Fitting 90° Short.....69, 73  
 PIPE FITTING G3 1.....87  
 Pipe Fitting GMF 1/4" BSP.....23  
 Pipe Fitting GWR M 3/4" BSP X F 1/2" BSP.....85  
 PIPE FITTING M-M A 90 1/4 BSPX9/16-18 ORFS.....23, 25, 67  
 PIPE FITTING M12X1.5 X 9/16-18 ORFS.....41  
 Pipe Fitting M14X1.5X1/4 BSP .....41  
 Pipe Fitting M22X1.5X3/4.....41  
 Pipe Fitting M33X2 X1"11/16-12 .....41  
 Pipe Fitting MFK 90 1/2 BSP.....67  
 Pipe Fitting MFK 90 1/4 BSP.....23

## Part Description Index (continued)

PIPE FITTING TMF+C 13/16-16 ORFS.....69  
 PIPE FITTING TMF+C 9/16-18 ORFS.....23, 67  
 PIPE FITTING TMF+L 1/2 BSP.....67  
 Pipe Fitting TMF+L 1" 3/16-12 ORFS.....85  
 PIPE FITTING,90 M-F 13/16-16 .....71  
 PIPE FITTING .....23, 37, 41, 85  
 Pipe R2 X 1/2 L=1100 F90-FD 13/16-16  
 ORFS.....69, 71, 73  
 Piston.....49  
 Pivot Pin.....47, 57  
 PLAIN WASHER.....15-16  
 Plain Washer.....15-16  
 Plain Washer D6x18 .....13, 16, 20  
 Plain Washer D8x16 UNI 6592.....15-16, 19-20  
 PLANET GEAR CARRIER.....47  
 Plastic Washer.....15-16, 19-20  
 Plate.....15-16, 19-20, 27  
 PLATE, BELT RETAINING 5519.....19-20  
 PLATE/SEMI FLANGE.....41  
 PLUG.....11, 13, 29, 43, 45, 47, 49, 53, 57, 61  
 Plug.....43, 45, 53  
 PLUG 1/2 BSP.....87  
 PLUG 1/4" BSP.....23, 87  
 PLUG 3/4 BSP.....23  
 PLUG 3/8" BSP.....37  
 Plug TCEI BSP 1/4.....77  
 Plug TCEI BSP 3/4.....75  
 PLUG,BREATHING.....45, 47, 57  
 POWER STEERING.....39  
 POWER STEERING ORBITAL.....39  
 PRECLEANER.....83  
 Pressure Switch.....37  
 PRESSURE TUBE.....23, 37, 41  
 Proximity Switch.....83  
 PULL BOX.....91  
 Pulley.....79  
 Pump.....37, 79  
 Pump Hub.....79  
 PUSH BUTTON.....77

**Q**

QUICK COUPLING, FEMALE 1/2.....67  
 QUICK COUPLING, MALE 1/2.....67

**R**

Rear Axle.....35  
 REAR FRAME LOCK (BLUE).....29  
 REAR GLASS.....15-16, 19-20  
 REAR WIPER KIT.....20  
 RED PUSH BUTTON CAP.....77  
 Relay.....89  
 RELAY HOLDER.....91  
 RELAY, GLOW PLUG.....91  
 RELAY .....91  
 RETAINER.....11  
 RIGHT SIDE GLASS .....15-16, 19-20  
 Right Side Grid.....13  
 Rim 9.75 X 16.5".....35  
 RING.....45, 55  
 Ring.....45, 47, 55, 57  
 Ring Gear Support.....47, 57  
 RING GEAR .....47, 57  
 RING NUT.....45  
 Ring Nut.....49  
 Roof Lamp.....13  
 RUBBER.....13, 15-16, 19-20  
 Rubber.....13, 15-16, 19-20  
 RUBBER CARPET.....13

RUBBER HOSE.....29, 37  
 Rubber Hose.....83, 87  
 RUBBER HOSE .....15-16, 19-20  
 RUBBER PLUG D.10.....13  
 RUBBER PLUG D25.....13  
 Rubber Protection.....77  
 Rubber Seal.....13

**S**

SAFETY BELT.....13  
 Safety Sheet.....47, 57  
 Safety Sheet .....55  
 SAFETY VALVE.....69, 71, 85  
 Safety Valve .....69  
 Screening.....83  
 SCREW.....47, 49, 57  
 Screw.....15-16, 19-20, 29, 45, 47, 49, 55, 63,  
 83  
 SCREW M10X20 UNI 5739 8.8 ZN.....85  
 SCREW M10X30 UNI 5933 10.9 ZN.....63  
 SCREW M10X60 UNI 5931 8.8 ZN.....79  
 SCREW M12X100 UNI 5737 8.8 ZN.....63, 71  
 SCREW M12X30 UNI 5739 8.8 ZN.....83  
 SCREW M12X80 UNI 5737 8.8 ZN.....65  
 SCREW M14X100UNI 5737 8.8 ZN.....27, 63,  
 79  
 SCREW M24X160 UNI 5737 10.9 ZN.....29  
 SCREW M4X10 UNI 5739 8.8 ZN.....29  
 SCREW M6X16 UNI 10.9 ZN.....83  
 SCREW M6X20 UNI 5739 8.8 ZN .....27, 67, 87  
 SCREW M6X25 UNI 5739 8.8 ZN .....29, 81  
 SCREW M6X25 UNI 5931 8.8 ZN...41, 69, 71,  
 73, 83  
 SCREW M6X40 UNI 5739 8.8 ZN .....67  
 SCREW M6X50 UNI 5737 8.8 ZN.....23, 37, 39  
 SCREW M8X16 UNI 5739 8.8 ZN...13, 19-20,  
 37  
 SCREW M8X20 UNI 5739 8.8 ZN...13, 23, 29,  
 37, 63, 67, 81  
 SCREW M8X20 UNI 8.8 ZN.....27, 29, 63  
 SCREW M8X25 UNI 5739 8.8 ZN...23, 27, 39,  
 73  
 SCREW M8X30 UNI 5739 8.8 ZN.....69, 73  
 SCREW M8X55 UNI 5737 8.8 ZN.....23, 77, 83  
 SCREW M8X70 UNI 5737 8.8 ZN.....63, 75, 81  
 SCREW M8X80 UNI 5737 8.8 ZN.....69  
 Screw TCB 1BG3223.....13, 16, 20  
 Screw Tcei M 8X30 UNI 5931 8.8Zn.....13, 63  
 Screw TCEI M10X35 UNI5931 8.8ZN .....41  
 SCREW TCEI M8X40 UNI 5931 8.8 ZN.....79  
 Screw TE M 12x20.....13  
 Screw TE M 5X10 UNI 5739 8.8 ZN.....29  
 Screw TE M 8X40 UNI 5739 8.8 ZN.....29  
 Screw TE M12X50 UNI 5737 8.8 ZN.....87  
 Screw TE M16X100 UNI 5737 8.8 ZN.....27  
 Screw TE M16X60 UNI 5737 8.8 ZN .....41  
 Screw TE M20X130UNI 5737 10.9ZN.....61  
 Screw TE M24X220UNI 5737 8.8 ZN.....27  
 Screw TE M8X100 UNI 5737 8.8 ZN.....37, 39  
 Screw TSPEI M 6X25UNI5933 8.8ZN.....27  
 Screw TSPEI M6x55 UNI 5933 10.9 ZN.....27  
 Screw TSPEI M8x40.....13, 15-16, 19-20  
 Screw TSPEI M8X70.....15-16, 19-20  
 Screw, 10.9HCS 12MM-1.75X50.....47, 57  
 SCREW, 12.9 SHCS 12-1.75X45.....45, 51, 59  
 SCREW, 8.8 HCS 10MM-1.5X80Z.....63, 69  
 SCREW, 8.8 HCS 12MM-1.75X50 .....45  
 SCREW, 8.8 HCS 12MM1.75X60Z.....29  
 SCREW, 8.8 HCS 14MM2.0X40 Z.....79

SCREW, M 8X20 UNI 5739 8.8 ZN.....13  
 SCREW, M6X20 DIN 933 YZ HCS.....15-16,  
 19-20  
 SCREW, M6X30DIN933 YZ HCS....15-16, 19-  
 20  
 SCREW,8.8 HCS 12MM1.75X45Z.....79  
 SCREW,M10-1.5X90 12.9 SHCS.....15-16, 19-  
 20  
 SCREW,M6-1.0X20MM FHSCS ZP.....15-16,  
 19-20  
 SCREW,PPH SMS 10X3/4ZAKEG.....11, 13, 20  
 SCREW,RING GEAR.....47, 55, 57  
 SCREW,STEERING ADJUST.....47, 57  
 SCREW,TCB+M6X35.....19-20  
 SCREW,TCEI M5X50 .....19-20  
 SCREW,TCEI,M16X50,UNI5931,8.8Z.....79  
 SCREW,TCEI,M6X35 UNI 8.8 ZN.....83  
 SCREW,TE,M10X25 UNI 8.8 ZN.....39, 67, 87  
 SCREW,TE,M10X30 UNI 8.8 ZN.....27, 63, 79,  
 83  
 SCREW,TE,M10X35 UNI 8.8 ZN.....63, 79, 83  
 SCREW,TE,M10X40 UNI 8.8 ZN.....79  
 SCREW,TE,M6X16 UNI 8.8 ZN.....37, 81  
 SCREW,TPEI,M8X30.....20  
 SCREW,TSPEI M8X25.....15-16, 19-20  
 SEAL.....15-16, 19-20, 45, 47, 49, 57  
 Seal.....13, 15-16, 19-20, 87  
 SEAL (1 PIECE = 3 METERS)....15-16, 19-20  
 SEAL / DIFFERENTIAL .....47, 57  
 SEAL KIT.....39, 69, 79  
 SEAL KIT (53.0500.0602).....67  
 SEAL KIT, LIFT CYLINDER.....71  
 SEAL KIT,CYLINDER.....69  
 SEAL KIT .....37  
 SEAL,DIFFERENTIAL .....55  
 Sealing Ring.....47, 57  
 SEAL .....45, 47, 57  
 SEAT.....13  
 Seat Support.....13  
 SEAT, CUSHION BACK .....13  
 Seat, Non Suspension.....13  
 SEAT,BOTTOM CUSHION.....13  
 Shim.....45  
 SHIM 0.10MM.....49  
 SHIM 0.20MM.....49  
 SHIM 0.30MM.....49  
 SHIM 0.40MM.....49  
 Shim Washer.....47, 57  
 SHIM,THICKNESS.....45, 55  
 SHIM/BOOM WEAR PAD.....63  
 SHOCK ABSORBER, SEAT.....13  
 SINGLE HOSE BRACKET D12.....83  
 SINGLE HOSE BRACKET D16.....41, 69, 71,  
 73  
 SLEEVE....41  
 SLIDING BLOCK HOLDER.....63  
 SNAP RING.....45, 47, 57, 69  
 Snap Ring.....45, 47, 49, 57, 79  
 SNAP RING (CIRCLIP).....43, 53  
 SNAP RING .....45  
 Solenoid.....23, 39, 77  
 SOLENOID (07.0701.0290).....41  
 SOLENOID VALVE.....39  
 Solenoid Valve.....25, 39, 41  
 SOLENOID\*\*\*\* .....25  
 Spacer.....15-16, 19-20, 45, 49, 55  
 SPEED LEVER.....11  
 Sphere.....45  
 Split Pin.....49, 79

Spray Nozzle.....15-16, 19-20  
 Spring.....37, 49, 83  
 SPRING COUPLING.....83  
 Spring Kit.....77  
 SPRING SPLIT PIN.....29  
 SPRING WASHER.....45  
 SPRING WASHER D 8 ZN .....23, 27, 37, 39,  
 63, 67, 81, 83  
 Spring Washer D10 UNI 1751 ZN.....39, 41, 63,  
 67, 79  
 SPRING WASHER D10 ZN.....41, 79, 85  
 SPRING WASHER D12 ZN .....13, 83  
 Spring Washer D14 UNI 1751 ZN.....79  
 SPRING WASHER D14 ZN.....79  
 SPRING WASHER D16 ZN.....29, 79  
 Spring Washer D20 ZN .....61  
 SPRING WASHER D24 ZN.....29  
 SPRING WASHER D6 ZN.....37, 67, 81, 87  
 STAR WHEEL.....35, 45  
 Starting Switch.....11  
 Steering Column.....39  
 STEERING WHEEL.....39  
 STOP.....15-16, 19-20  
 Stop Belt.....15-16  
 STOP NUT.....13  
 Stop Nut.....39  
 STOP NUT M12 UNI 7473 6S ZN...29, 63, 65,  
 71, 79, 87  
 STOP NUT M14 UNI 7473 6S ZN.....27, 63, 79  
 STOP NUT M16 UNI 7473 6S ZN.....27  
 STOP NUT M6 UNI 7473 6S ZN .....23, 27, 37,  
 67, 83  
 STOP PAD.....15-16, 19-20  
 STRAIN RELIEF.....91  
 Stud.....47, 57  
 STUD,DRIVE AXLE.....47, 57  
 SUPPORT.....27, 61  
 Support.....23, 47, 57, 79, 83  
 SUPPORT, LEFT MUDGUARD.....27  
 SUPPORT .....61  
 SWITCH.....11, 15-16, 19-20  
 Switch.....11  
 SWITCH COVER, CONTINUOUS FLOW.....11  
 SWITCH COVER-HORN.....11  
 SWITCH UPPER.....11  
 SWITCH, NEGATIVE BRAKE.....37  
 SWITCH,COVER,FAN/GREEN.....11, 15-16,  
 19-20  
 SWITCH,LOCK COVER.....11  
 SWITCH,STEER SELECTOR.....11  
 SWITCH/2 POS. MOMENTARY.....11

**T**

TANK FOR 2 POSITION SWITCH.....11  
 TANK, WIPER W/ PUMP .....15-16, 19-20  
 TEMPERATURE SENSOR, HYDRAULIC  
 OIL.....85  
 THICKNESS.....45, 47, 55, 57  
 Thickness.....63  
 THICKNESS/SHIM 3 STYLES ALL OK.....63  
 Threaded Grubscrew.....49  
 Tire 12-16.5" PR10.....35  
 TOGGLE LEVER,COMPLETE.....19-20

**U**

Upper Door.....15-16  
 UPPER DOOR FRAME.....19-20

UPPER DOOR FRAME WITH GLASS .....19-  
 20  
 UPPER DOOR GLASS GTH5519.....19-20  
 Upper Glass.....13

**V**

VALVE.....23, 41, 67, 75  
 Valve.....23, 37  
 Valve 3/4 PA 2.5.....41, 85  
 VALVE CURSOR.....75  
 VALVE, CARTRIDGE.....75  
 VALVE,LOAD SENSE.....79  
 VIBRATION DAMPING.....27, 79, 81

**W**

Warning - Crush Hazard, Overhead Parts.....31  
 WASHER.....11, 13, 19-20, 23, 37, 41, 49, 79,  
 87  
 Washer.....13, 15-16, 19-20  
 WASHER D10.....63  
 Washer D24 UNI 6592 ZN.....27  
 WASHER D6.....27  
 Washer D6X12MM.....13, 15-16  
 WASHER D70/16, SP 8.....27  
 WASHER, ZN, D70/16, SP 4.....27  
 WASHER,CHMFRD,D16,UNI 6593,ZN.....27  
 WASHER,D.14/20X1.5.....37  
 WASHER,D10 UNI 6592 ZN.....83, 87  
 WASHER,D10X20.....19-20  
 WASHER,D12 UNI 6592 ZN .....13, 83  
 WASHER,JC 27,SP.2,5.....23  
 WASHER .....45, 47, 55, 57, 65  
 WEAR PAD SHIM.....63  
 WEAR PAD,100X25X15.....63  
 WEAR PAD,100X60X12.....63  
 WEAR PAD,200X60X15.....63  
 WEAR PAD,200X60X20.....63  
 WEAR PAD,60X60X12.....63  
 Wheel Hub.....47, 57  
 Wheel Nut .....47, 57  
 WHEEL STUD.....47, 57  
 WINDSCREEN WIPER BRUSH .....20  
 WIPER ARM.....15-16, 19-20  
 WIPER BLADE.....15-16, 19-20  
 WIPER MOTOR.....15-16, 19-20  
 Wiring Harness.....91

**Y**

YELLOW PUSH BUTTON CAP.....77

***This Page Intentionally Left Blank***

California Proposition 65

## Warning

The exhaust from this product contains chemicals known to the State of California to cause cancer, birth defects or other reproductive harm.

### Genie North America

**Phone** 425.881.1800  
**Toll Free** USA and Canada  
800.536.1800  
**Fax** 425.883.3475

### Genie Australia Pty Ltd.

**Phone** +61 7 3375 1660  
**Fax** +61 7 3375 1002

### Genie China

**Phone** +86 21 53852570  
**Fax** +86 21 53852569

### Genie Malaysia

**Phone** +65 98 480 775  
**Fax** +65 67 533 544

### Genie Japan

**Phone** +81 3 3453 6082  
**Fax** +81 3 3453 6083

### Genie Korea

**Phone** +82 25 587 267  
**Fax** +82 25 583 910

### Genie Brasil

**Phone** +55 11 41 665 755  
**Fax** +55 11 41 665 754

### Genie Holland

**Phone** +31 183 581 102  
**Fax** +31 183 581 566

### Genie Scandinavia

**Phone** +46 31 575100  
**Fax** +46 31 579020

### Genie France

**Phone** +33 (0)2 37 26 09 99  
**Fax** +33 (0)2 37 26 09 98

### Genie Iberica

**Phone** +34 93 579 5042  
**Fax** +34 93 579 5059

### Genie Germany

**Phone** +49 (0)4202 88520  
**Fax** +49 (0)4202 8852-20

### Genie U.K.

**Phone** +44 (0)1476 584333  
**Fax** +44 (0)1476 584334

### Genie Mexico City

**Phone** +52 55 5666 5242  
**Fax** +52 55 5666 3241

Distributed By:

**Parts Manual**

**GTH-5519**

Part No.  
645000

Rev H

